



DELIVERY PROGRAM UNIQ



DELIVERY PROGRAM
WWW.UNIQ-BALUSTRADES.COM
ENGLISH

the basis for every balustrade

UNIQ

the basis for every balustrade

UNIQ is the perfect basis for every balustrade. The clamping of the glass with the patented clamping strip, the adjustability of the profiles on rough surfaces and the quick and easy assembly are unique and smart features that save time and money.

The extensive range of UNIQ profiles offers its own solution for every application, both for private use and for applications in public buildings. For mounting on or against the floor, for finished or rough floors in concrete, steel or wood and for line loads 0.3, 0.5, 0.8, 1, 2 and 3 kN/m.

The profiles and associated parts for finishing are available in brute, stainless steel look or satin black anodised.

The detailed information in this brochure is also available on the website www.uniq-balustrades.com



Compagnie Het Zouté, project La Rive - La Réserve II

UNIQ profiles are an innovation from IMS Nederland. This company has been a supplier of semi-finished products in steel, stainless steel and aluminium since 1954.

www.ims-nederland.biz


















IMS Nederland B.V. is
ISO 9001:2015 and CE certified.



ISO 9001:2015



INDEX

	Page		Page		
	UNIQ SB-O1	16		UNIQ SB-O2S	48
	UNIQ SB-O2	20		UNIQ SB-A 0.5SI	52
	UNIQ SB-O3	24		UNIQ SB-A1S	56
	UNIQ SB-A1	28		UNIQ SB-A2S	60
	UNIQ SB-A2	32		UNIQ SB-OXS	64
	UNIQ SB-A3	36	 Anchor Fisher / Mounting tools		68
	UNIQ SB-O 0.5S	40		Slotted Tube System	72
	UNIQ SB-O1S	44		Glass Clips	76
				Spigot	86



**UNIQ OFFERS ENDLESS POSSIBILITIES FOR
GLASS BALUSTRADES AND WINDBREAKS**

Errors and omissions are excluded. UNIQ reserves the right to make changes. Products may differ from images shown.

6 REASONS TO CHOOSE UNIQ





SMART CLAMPING



The patented clamping strip holds the glass securely in place. The lack of wedges means no stress in the glass, with the tension distributed evenly across the entire pane.

ADJUSTABLE



The profiles are secured via adjustable nuts, meaning that the profiles are always level and the glass is always straight, no matter how uneven the surface.

QUICK ASSEMBLY



Assembling a balustrade has never been so quick and easy: secure the profile, put the glass in place, apply the clamping strip and tighten the bolts. That's it!

SAFE



The clamping strip guarantees the glass will never come loose. It's the ultimate in safety.

LIGHT AND STRONG



The sophisticated hollow design makes the profiles lighter and stronger. It's the best choice both, structurally and financially.

ELEGANT FINISHING



The lack of rubbers ensures a stylish look. Various covers are available for finishing the floor and front side: simply click them into place.

ABOUT UNIQ

UNIQ STANDS FOR BEAUTIFUL AND SAFE

Transparency and light are important principles in the design of homes and buildings. Glass balustrades fit in perfectly with this. They offer an unobstructed view of the surroundings and the luxurious appearance makes every balcony, loft, terrace or staircase a true jewel. Safety comes first. That is why the UNIQ profiles have been internationally tested and certified.

NO MORE RUBBERS

To ensure the floor blends seamlessly into the glass, UNIQ uses no ugly rubbers. This creates a smooth, stylish finish that elegantly accentuates any architectural style.

FINISHING

A variety of aluminium covers can be easily clicked onto the base profile. Covers are available for both the floor side and the front side to ensure the perfect finish for your balustrade.

FOR EVERY STYLE AND TASTE

The UNIQ profiles and covers for finishing are supplied in a beautiful stainless steel look as standard. Or opt for the satin black anodized profiles, which fit perfectly with the industrial living trend and are also available from stock. The profiles are also available in brute, so that they can be finished in any desired colour.

ALWAYS THE RIGHT PROFILE

The 0.5 kN profiles are the lightest and smallest in the range and are intended for the private sector. They are available for mounting on or against the floor.

The different profiles of the 1kN series are suitable for all kinds of balustrades. By using the plating covers they are completely invisible and are mainly used in new constructions. The smaller S versions are more often used for renovation projects. These profiles are mounted on or against an already finished floor.

The 2 kN profiles are an excellent option for high-rise projects, especially for balconies in places where wind loads are decisive. With these profiles, thinner glass can be used in many cases, which saves costs.

The 3 kN profiles are the strongest profiles in the range. With a line load of up to 3 kN/m, they are real powerhouses and suitable for applications in places where large groups of people come together, such as sports buildings, cinemas and theatres.

The OXS profile has been specially developed for creating windbreaks. The same system, the same sleek appearance, but smaller in size and therefore an almost inconspicuous yet strong basis for a windbreak up to a maximum height of 90 cm.

TESTS | CERTIFICATIONS

UNIQ profiles have been tested in several countries by the following agencies.

THE NETHERLANDS

SKG-IKOB

FRANCE

CSTB



GERMANY



EUROPE



BELGIUM



FOR EVERY PROJECT

the right profile

Nowadays, glass balustrades can be found in numerous construction projects. The extensive range of UNIQ profiles is versatile. From private balconies, holiday villas and apartment complexes to commercial buildings, shop premises, interiors and along terraces, UNIQ has the right profile for every large or small project. Here is a small selection of the many projects where UNIQ profiles have been used.





Compagnie Het Zoute, project La Rive - La Réserve II



Compagnie Het Zoute, project La Rive - La Réserve II



Compagnie Het Zoute, project La Rive - La Réserve II

“

THE EXTENSIVE PACKAGE OF UNIQ
PROFILES IS PARTICULARLY VERSATILE

UNIQUE CLAMPING STRIP

The patented, continuous clamping strip makes the UNIQ system truly unique. With this clamping strip, the way the glass is held in place is substantially different from other systems, which brings significant benefits.



UNIQUE IN MOUNTING AND POSITIONING POSSIBILITIES

In addition to structural anchors, the O and A profiles can be mounted with a second row of anchors. These anchors are especially for leveling the profiles. The glass is completely and evenly clamped with the patented clamping strip, which avoids high tension in the glass.

DOUBLE SAFETY

The continuous clamping strip is secured in two ways. Cogging on both the clamping strip and the profile works as the first locking. The tightening of the specially designed bolts ensures the second locking.

Tapping the clamping strip

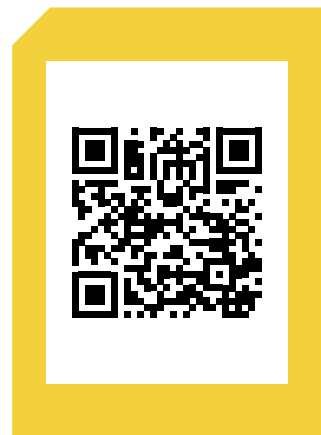


WITH THE HANDY TOOL
ON THE WEBSITE YOU CAN
COMPILE AND VIEW YOUR
BALUSTRADE

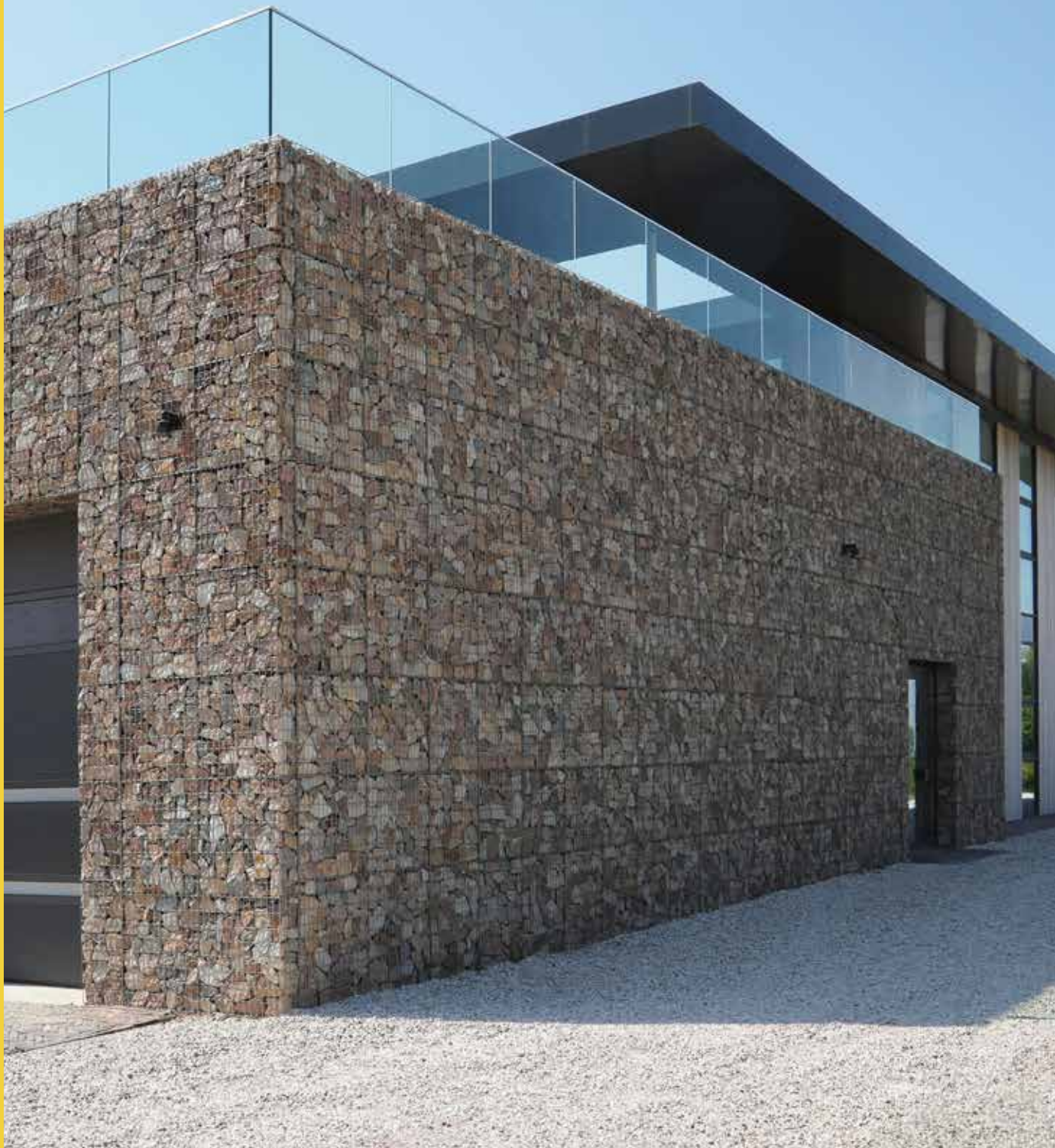


The continuous clamping strip is clearly visible

MOUNTING UNIQ STEP BY STEP



Check the instruction video














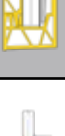



“

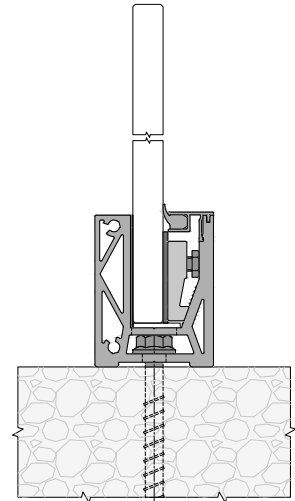
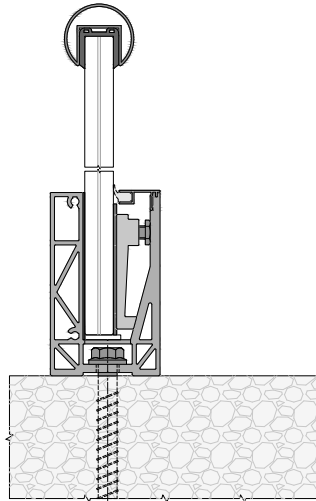
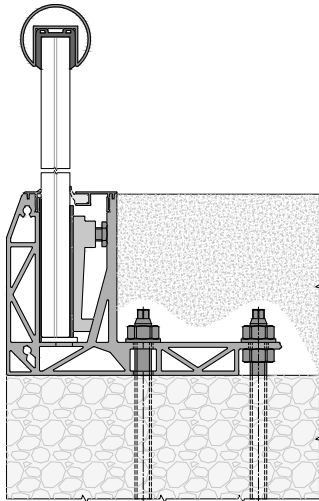
UNIQU PROFILES CLAMP THE GLASS COMPLETELY.
WHERE THE BALCONY ENDS, THE GLASS BEGINS



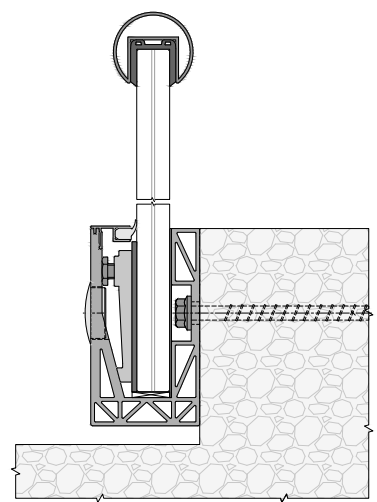
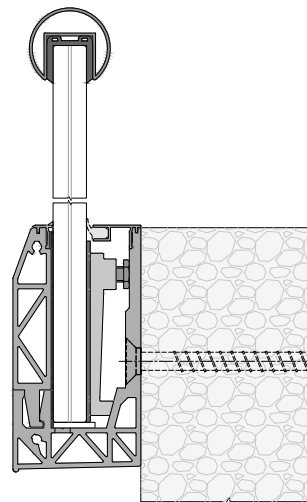
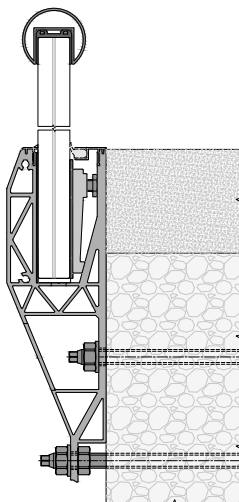
product overview

	Model		Glass	Profile adjustable	Page
	SB-O1	1 kN/m Top Mounted	15 8/8/pvb 10/10/pvb	✓	16
	SB-O2	2 kN/m Top Mounted	19 10/10/pvb 12/12/pvb	✓	20
	SB-O3	3 kN/m Top Mounted	12/12/pvb 8/8/8/pvb 15/15/pvb 10/10/10/pvb	✓	24
	SB-O 0.5S	0.5 kN/m Top Mounted	6/6/pvb 8/8/pvb	✗	40
	SB-O1S	1 kN/m Top Mounted	15 8/8/pvb 10/10/pvb	✗	44
	SB-O2S	2 kN/m Top Mounted	19 10/10/pvb 12/12/pvb	✗	48
	SB-A1	1 kN/m Side Mounted	15 8/8/pvb 10/10/pvb	✓	28
	SB-A2	2 kN/m Side Mounted	19 10/10/pvb 12/12/pvb	✓	32
	SB-A3	3 kN/m Side Mounted	12/12/pvb 8/8/8/pvb 15/15/pvb 10/10/10/pvb	✓	36
	SB-A 0.5SI	0.5 kN/m Side Mounted	8/8/pvb	✗	52
	SB-A1S	1 kN/m Side Mounted	15 8/8/pvb 10/10/pvb	✗	56
	SB-A2S	2 kN/m Side Mounted	19 10/10/pvb 12/12/pvb	✗	60
	SB-OXS	Top Mounted	8 12 4/4/pvb 6/6/pvb	✗	64

TOP MOUNTED (O)

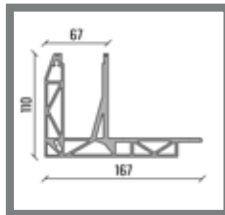
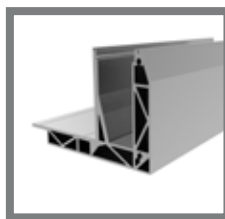
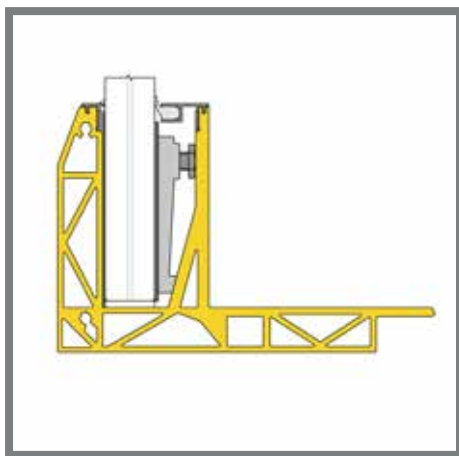
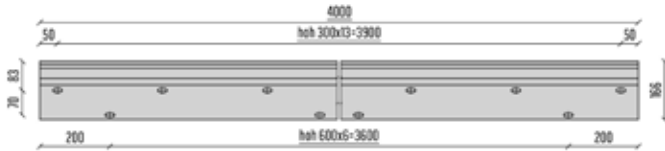


SIDE MOUNTED (A)



UNIQ SB-01 | TOP MONTAGE

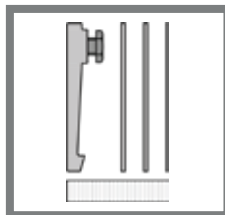
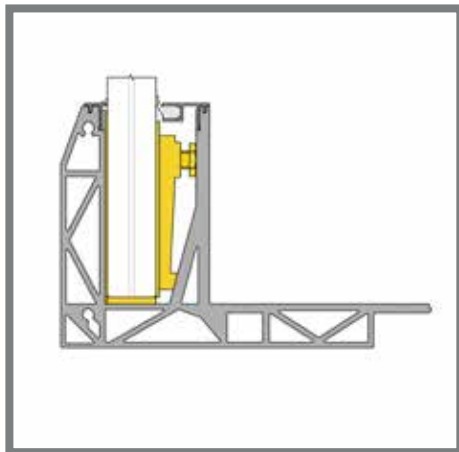
1 kN/M



BASE PROFILE

- 2089036 SB-O1 Brute
- 2089038 SB-O1 Stainless look

L
4000 mm
4000 mm

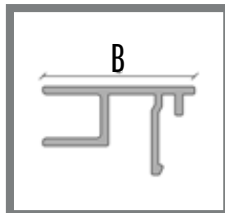
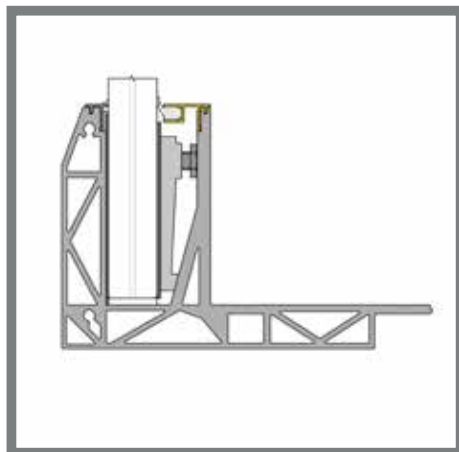


GLASS MOUNTING SET (GMS)

- 2020151 GMS-L1 - 10/10/pvb
- 2028329 GMS-XL1 - 8/8/pvb
- 2028334 GMS-XXL1 - 15

L
4000 mm
4000 mm
4000 mm

Content:
Clamping strip + glass blocks + required packing



REAR COVER

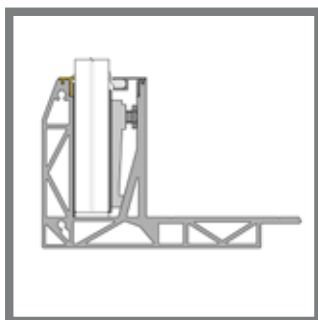
- 2089104 CR-L1 - 10/10/pvb - Brute
- 2089358 CR-L1 - 10/10/pvb - Stainless look
- 2089106 CR-XL1 - 8/8/pvb - Brute
- 2089359 CR-XL1 - 8/8/pvb - Stainless look
- 2089108 CR-XXL1 - 15 - Brute
- 2089360 CR-XXL1 - 15 - Stainless look

B	L
21	4000 mm
21	4000 mm
25	4000 mm
25	4000 mm
28	4000 mm
28	4000 mm

OPTIONAL FOR REAR COVER

- 1012309 Rubber for the cover rear

L
1000 mm



FRONT COVER

- 2089088 CF-100 Brute
- 2089350 CF-100 Stainless look

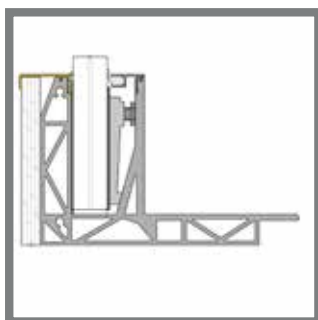
L
4000 mm
4000 mm



OPTIONAL FOR FRONT COVER

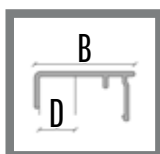
- 1012311 Rubber for the cover front

L
1000 mm



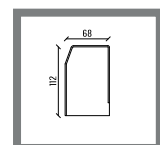
PLATING COVERS

		D	B	L
2089090	CF-103 Brute	3	25	4000 mm
2089351	CF-103 Stainless look	3	25	4000 mm
2089092	CF-112 Brute	12	34	4000 mm
2089352	CF-112 Stainless look	12	34	4000 mm
2089094	CF-120 Brute	20	42	4000 mm
2089353	CF-120 Stainless look	20	42	4000 mm

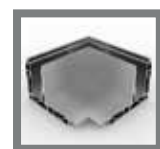
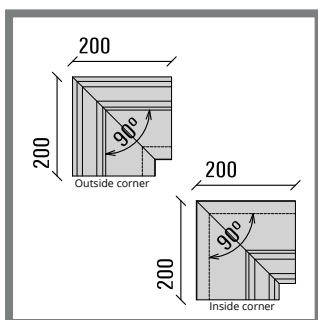


END COVERS

- 2033435 SB-O1 end cover left, Brute
- 2033439 SB-O1 end cover left, Stainless look
- 2033436 SB-O1 end cover right, Brute
- 2033440 SB-O1 end cover right, Stainless look

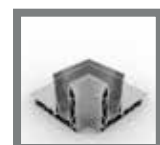


Small color differences between end caps and profiles are possible.



CORNER PIECES

- 2090626 SB-O1 Outside corner Brute
- 2090625 SB-O1 Outside corner Stainless look



- 2090622 SB-O1 Inside corner Brute
- 2090490 SB-O1 Inside corner Stainless look



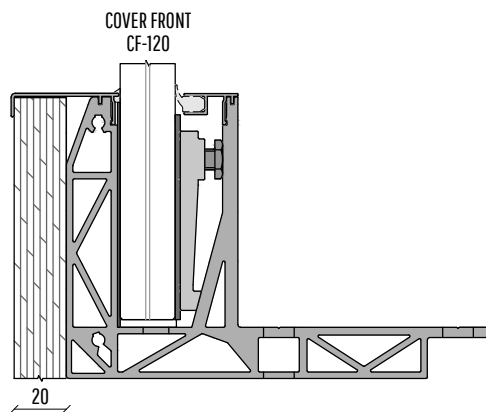
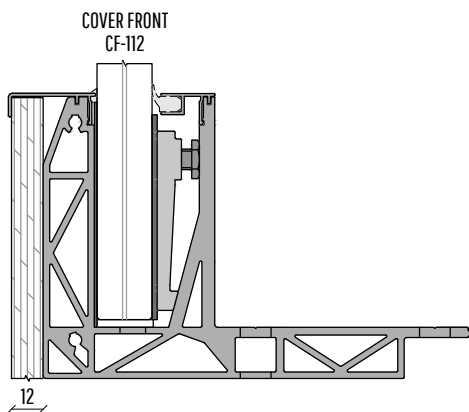
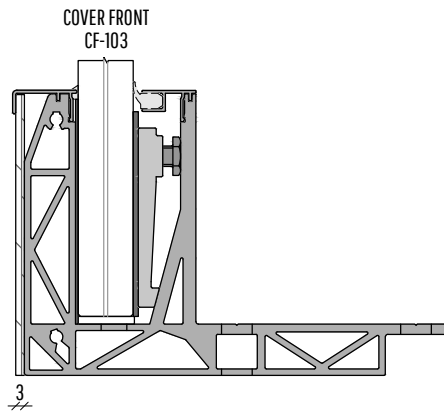
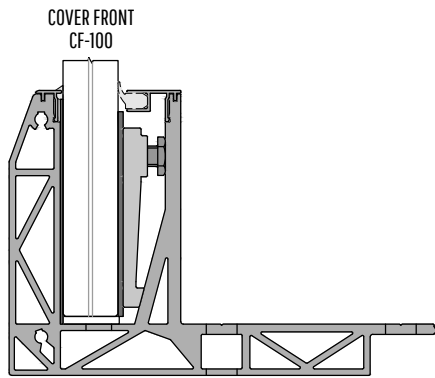
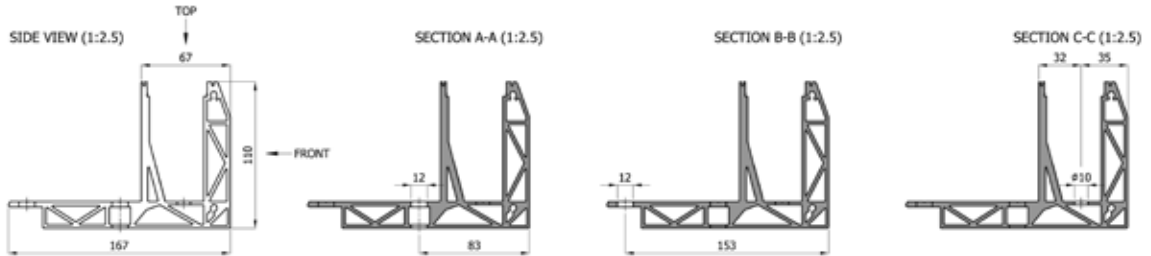
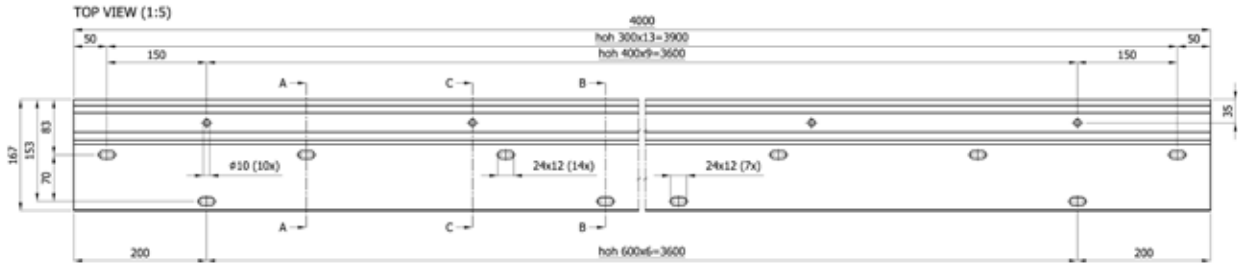
ANCHOR SB-01

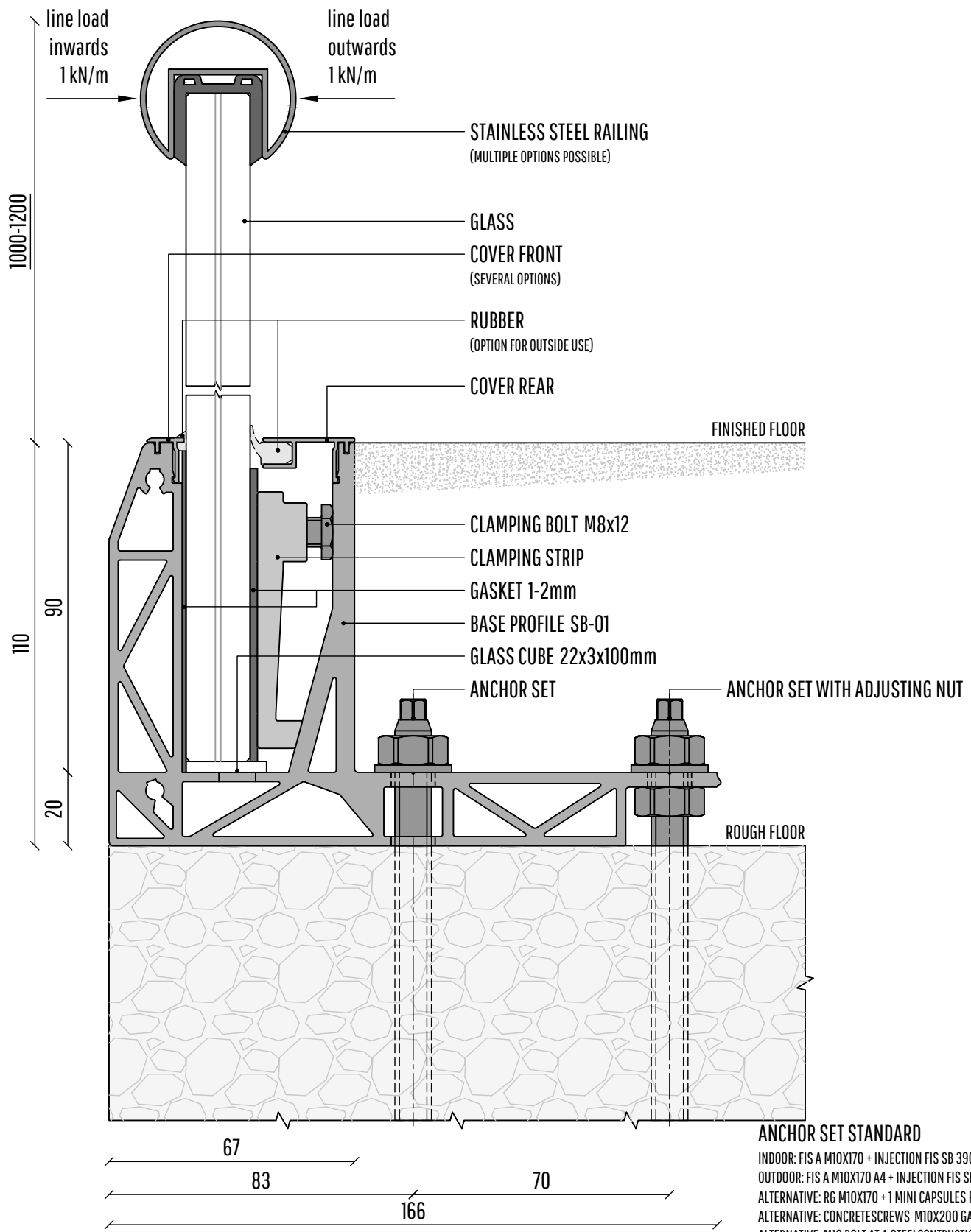
- 2008327 FISCHER injection mortar SB 390 S
- 2089149 FISCHER RSB 10 MINI capsule (alternative)
- 2089819 FISCHER RGM 10x170 Threaded rod indoor
- 2089820 FISCHER RGM 10x170 Threaded rod A4 outdoor



Check the instruction video

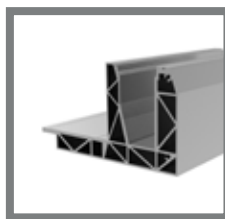
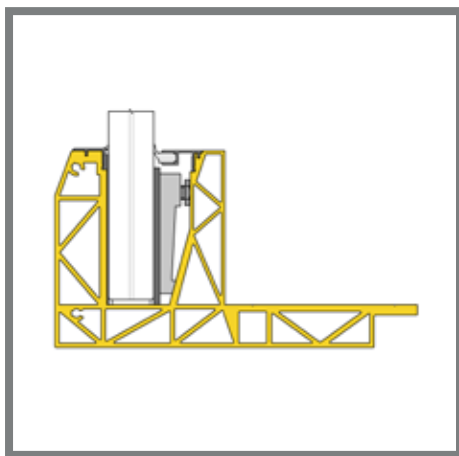
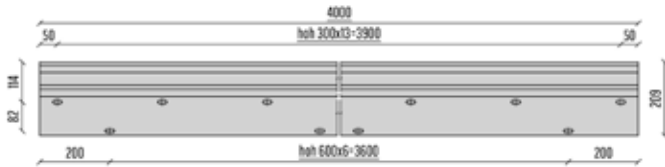
UNIQU SB-01 | INFO





UNIQU SB-02 | TOP MONTAGE

2 kN/M

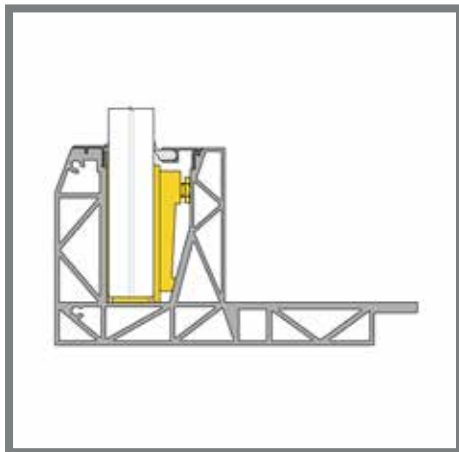
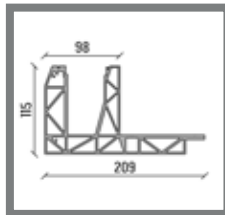


BASE PROFILE

- 2089514 SB-O2 Brute
- 2089516 SB-O2 Stainless look

L

- 4000 mm
- 4000 mm



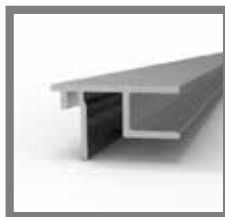
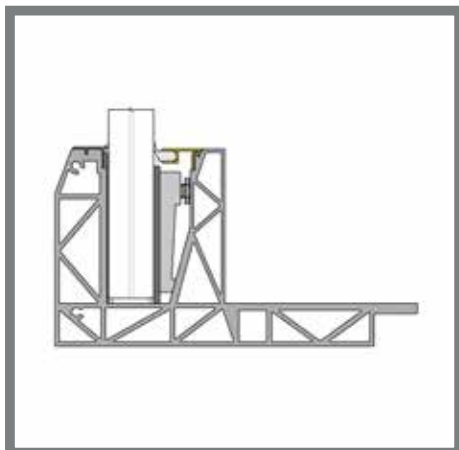
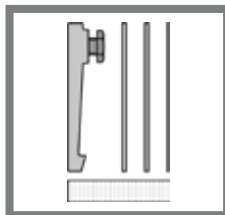
GLASS MOUNTING SET (GMS)

- 2028356 GMS-L2 - 12/12/pvb
- 2028588 GMS-XXL3 - 10/10/pvb
- 2028588 GMS-XXL3 - 19

L

- 4000 mm
- 4000 mm
- 4000 mm

Content:
Clamping strip + glass blocks + required packing



REAR COVER

- 2089106 CR-XL1 - 12/12/pvb - Brute
- 2089359 CR-XL1 - 12/12/pvb - Stainless look
- 2089108 CR-XXL1 - 10/10/pvb - Brute
- 2089360 CR-XXL1 - 10/10/pvb - Stainless look
- 2089620 CR-XXL3 - 19 - Brute
- 2089622 CR-XXL3 - 19 - Stainless look

B

L

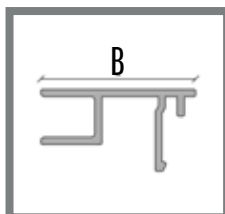
- 25 4000 mm
- 25 4000 mm
- 28 4000 mm
- 28 4000 mm
- 31 4000 mm
- 31 4000 mm

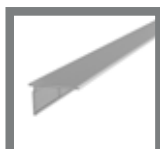
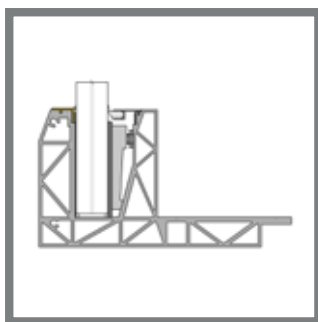
OPTIONAL FOR REAR COVER

- 1012309 Rubber for the cover rear

L

- 1000 mm





FRONT COVER

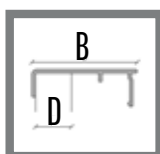
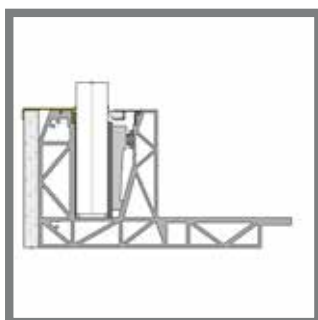
- 2089096 CF-300 Brute
- 2089354 CF-300 Stainless look

L
4000 mm
4000 mm

OPTIONAL FOR FRONT COVER

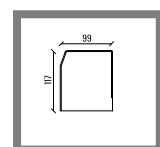
- 1012311 Rubber for the cover front

L
1000 mm



PLATING COVERS

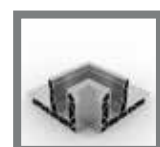
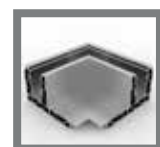
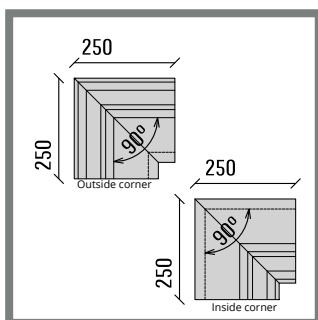
		D	B	L
2089098	CF-303 Brute	3	35	4000 mm
2089355	CF-303 Stainless look	3	35	4000 mm
2089100	CF-312 Brute	12	44	4000 mm
2089356	CF-312 Stainless look	12	44	4000 mm
2089102	CF-320 Brute	20	52	4000 mm
2089357	CF-320 Stainless look	20	52	4000 mm



END COVERS

- 2090564 SB-O2 end cover left, Brute
- 2090554 SB-O2 end cover left, Stainless look
- 2090569 SB-O2 end cover right, Brute
- 2090559 SB-O2 end cover right, Stainless look

Small color differences between end caps and profiles are possible.



CORNER PIECES

- 2090632 SB-O2 Outside corner Brute
- 2090631 SB-O2 Outside corner Stainless look
- 2090630 SB-O2 Inside corner Brute
- 2090493 SB-O2 Inside corner Stainless look



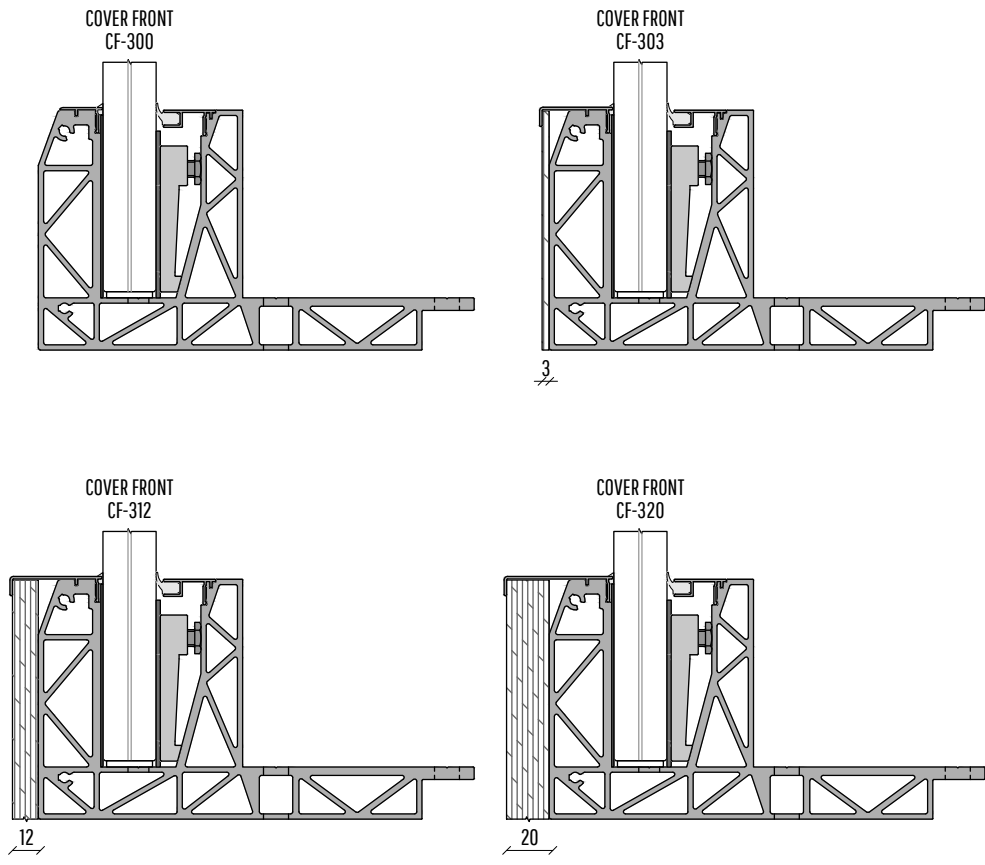
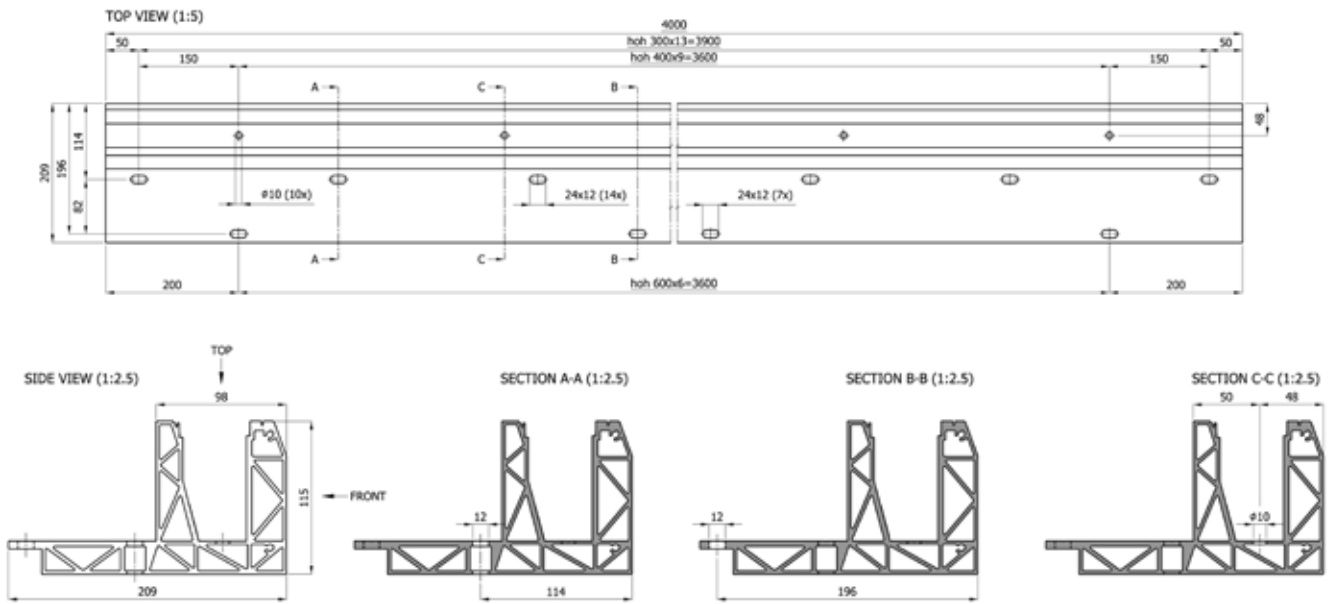
ANCHOR SB-O2

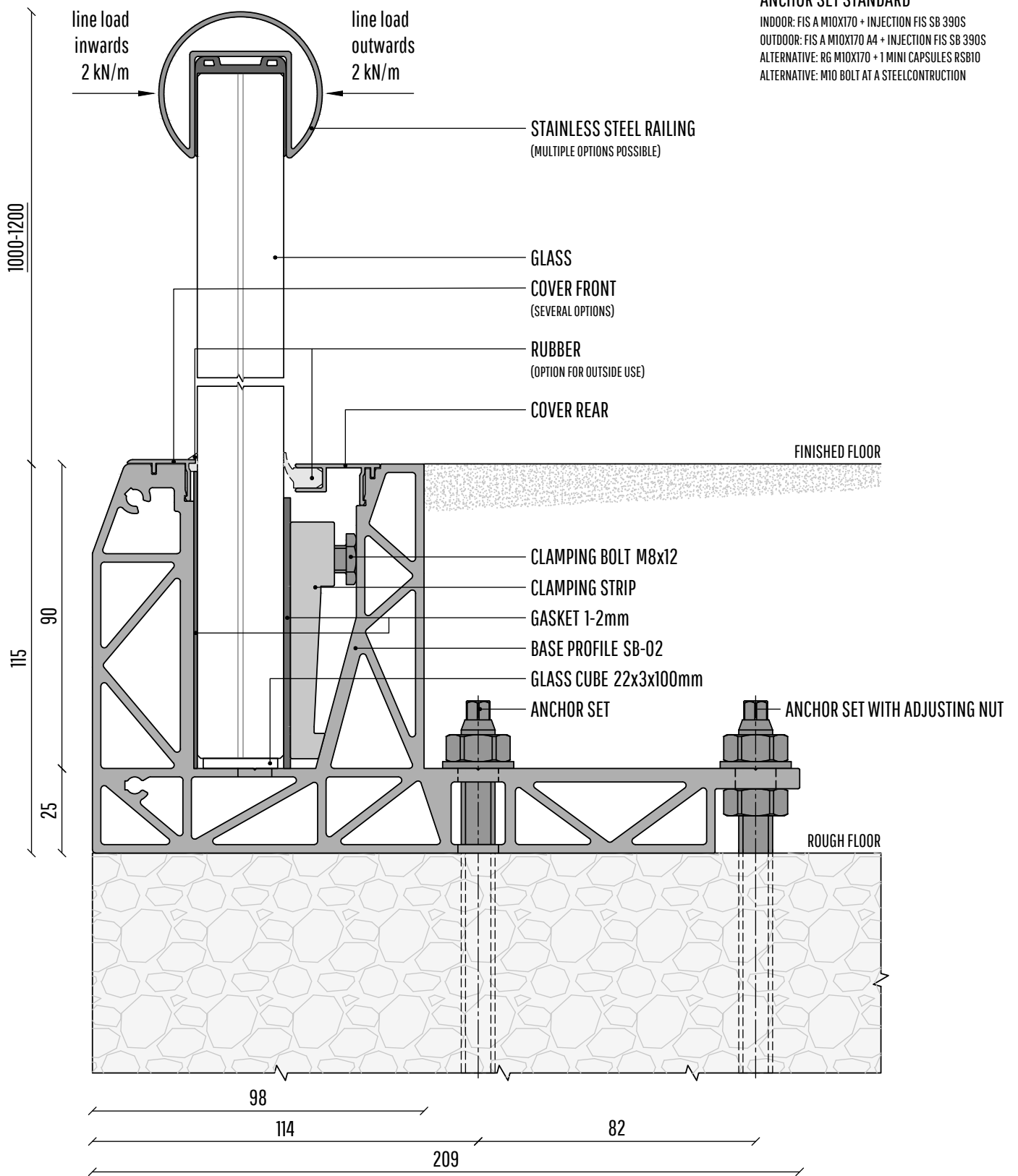
- 2008327 FISCHER injection mortar SB 390 S
- 2089149 FISCHER RSB 10 MINI capsule (alternative)
- 2089819 FISCHER RGM 10x170 Threaded rod indoor
- 2089820 FISCHER RGM 10x170 Threaded rod A4 outdoor



Check the instruction video

UNIQU SB-02 | INFO



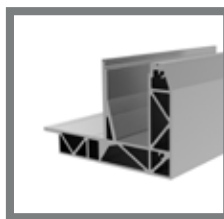
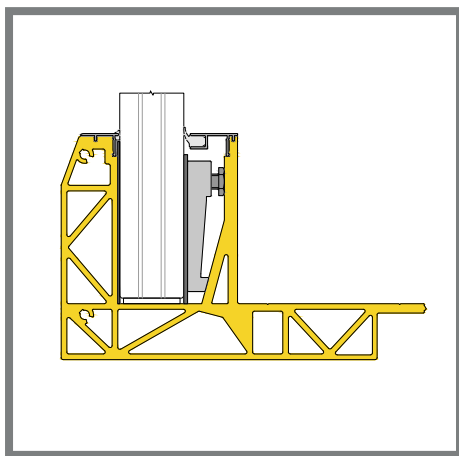
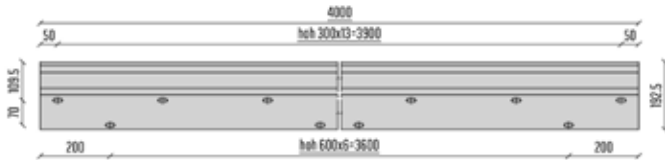


ANCHOR SET STANDARD

INDOOR: FIS A M10X170 + INJECTION FIS SB 390S
 OUTDOOR: FIS A M10X170 A4 + INJECTION FIS SB 390S
 ALTERNATIVE: R6 M10X170 + 1 MINI CAPSULES RS810
 ALTERNATIVE: M10 BOLT AT A STEELCONSTRUCTION

UNIQU SB-03 | TOP MONTAGE

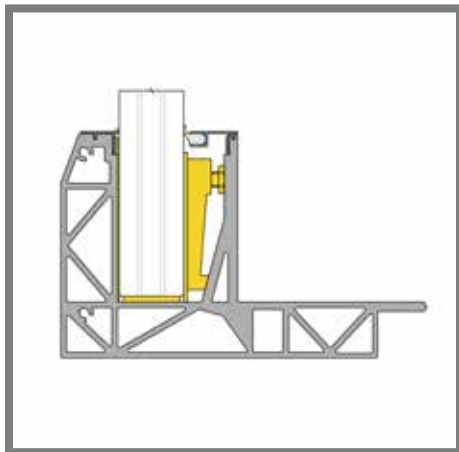
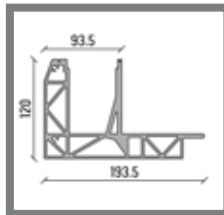
3 kN/M



BASE PROFILE

- 2089043 SB-03 Brute
- 2089045 SB-03 Stainless look

L
4000 mm
4000 mm

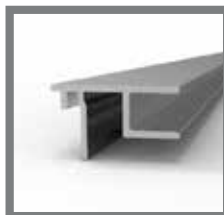
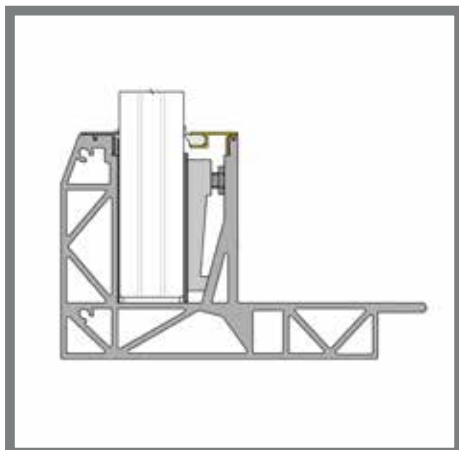
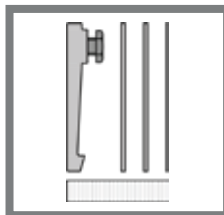


GLASS MOUNTING SET (GMS)

- 2028527 GMS-XL3 - 12/12/pvb
- 2028527 GMS-XL3 - 8/8/8/pvb
- 2028420 GMS-L3 - 15/15/pvb
- 2028420 GMS-L3 - 10/10/10/pvb

L
4000 mm
4000 mm
4000 mm
4000 mm

Content:
Clamping strip + glass blocks + required packing



REAR COVER

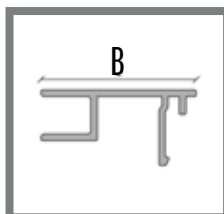
- 2089114 CR-XL3 - 12/12/pvb - Brute
- 2089363 CR-XL3 - 12/12/pvb - Stainless look
- 2089114 CR-XL3 - 8/8/8/pvb - Brute
- 2089363 CR-XL3 - 8/8/8/pvb - Stainless look
- 2089112 CR-L3 - 15/15/pvb - Brute
- 2089362 CR-L3 - 15/15/pvb - Stainless look
- 2089112 CR-L3 - 10/10/10/pvb - Brute
- 2089362 CR-L3 - 10/10/10/pvb - Stainless look

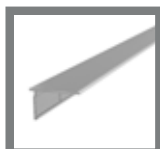
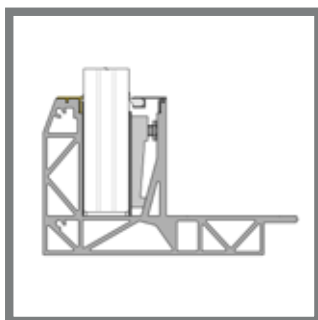
B **L**
33 4000 mm
33 4000 mm
33 4000 mm
33 4000 mm
27 4000 mm
27 4000 mm
27 4000 mm
27 4000 mm

OPTIONAL FOR REAR COVER

- 1012309 Rubber for the cover rear

L
1000 mm





FRONT COVER

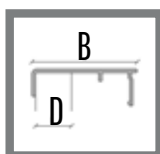
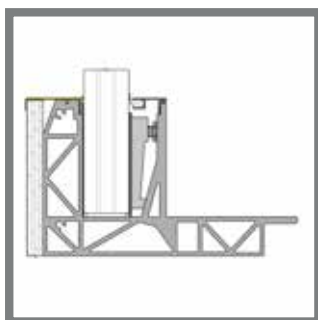
- 2089096 CF-300 Brute
- 2089354 CF-300 Stainless look

L
4000 mm
4000 mm

OPTIONAL FOR FRONT COVER

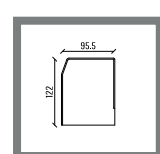
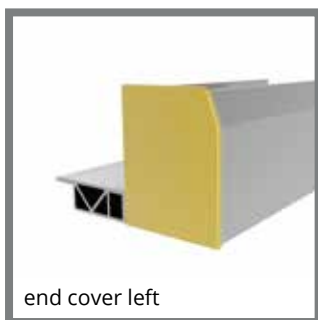
- 1012311 Rubber for the cover front

L
1000 mm



PLATING COVERS

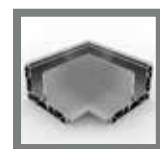
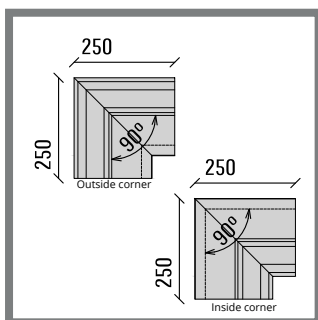
		D	B	L
2089098	CF-303 Brute	3	35	4000 mm
2089355	CF-303 Stainless look	3	35	4000 mm
2089100	CF-312 Brute	12	44	4000 mm
2089356	CF-312 Stainless look	12	44	4000 mm
2089102	CF-320 Brute	20	52	4000 mm
2089357	CF-320 Stainless look	20	52	4000 mm



END COVERS

- 2090565 SB-O3 end cover left, Brute
- 2090555 SB-O3 end cover left, Stainless look
- 2090570 SB-O3 end cover right, Brute
- 2090560 SB-O3 end cover right, Stainless look

Small color differences between end caps and profiles are possible.



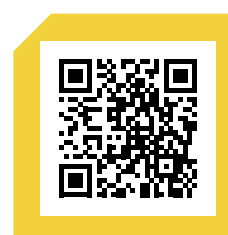
CORNER PIECES

- 2090636 SB-O3 Outside corner Brute
- 2090494 SB-O3 Outside corner Stainless look
- 2090634 SB-O3 Inside corner Brute
- 2090495 SB-O3 Inside corner Stainless look



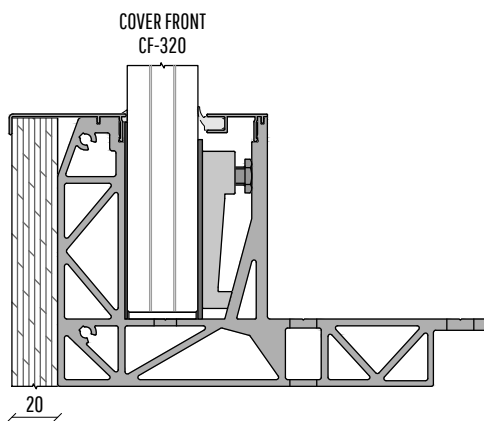
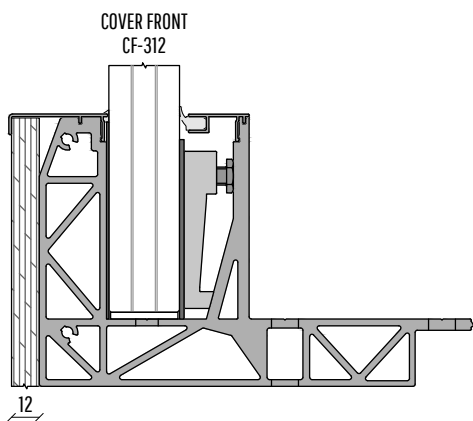
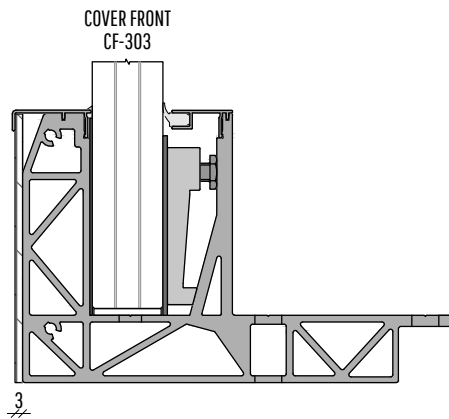
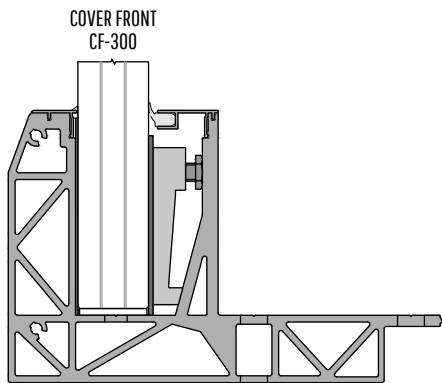
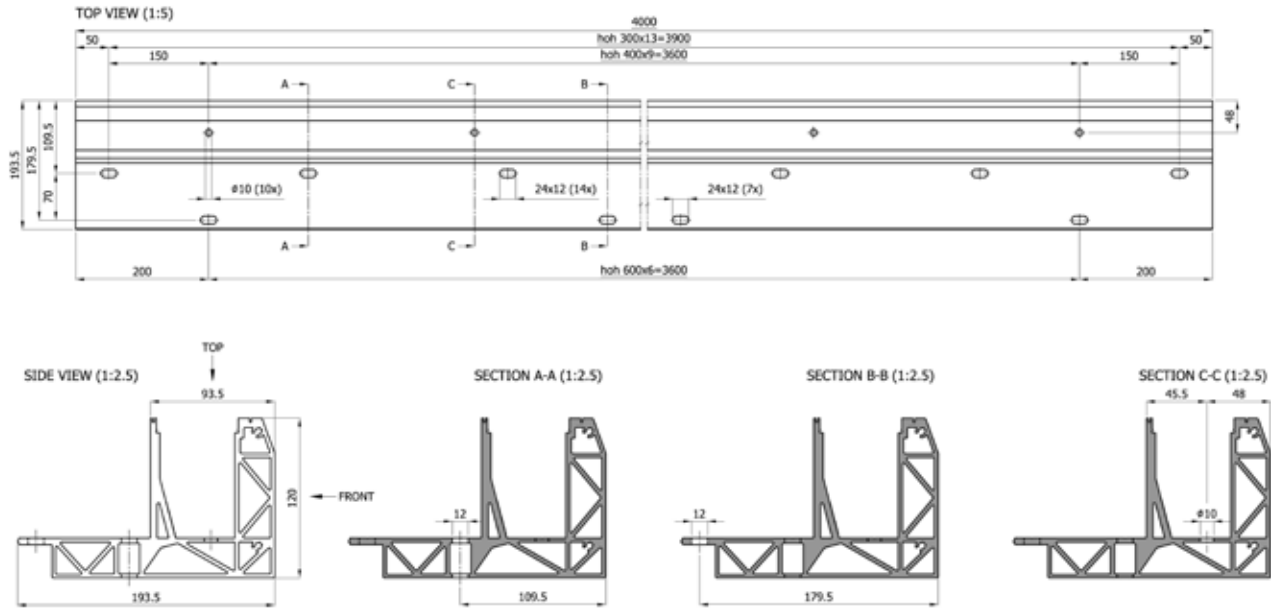
ANCHOR SB-03

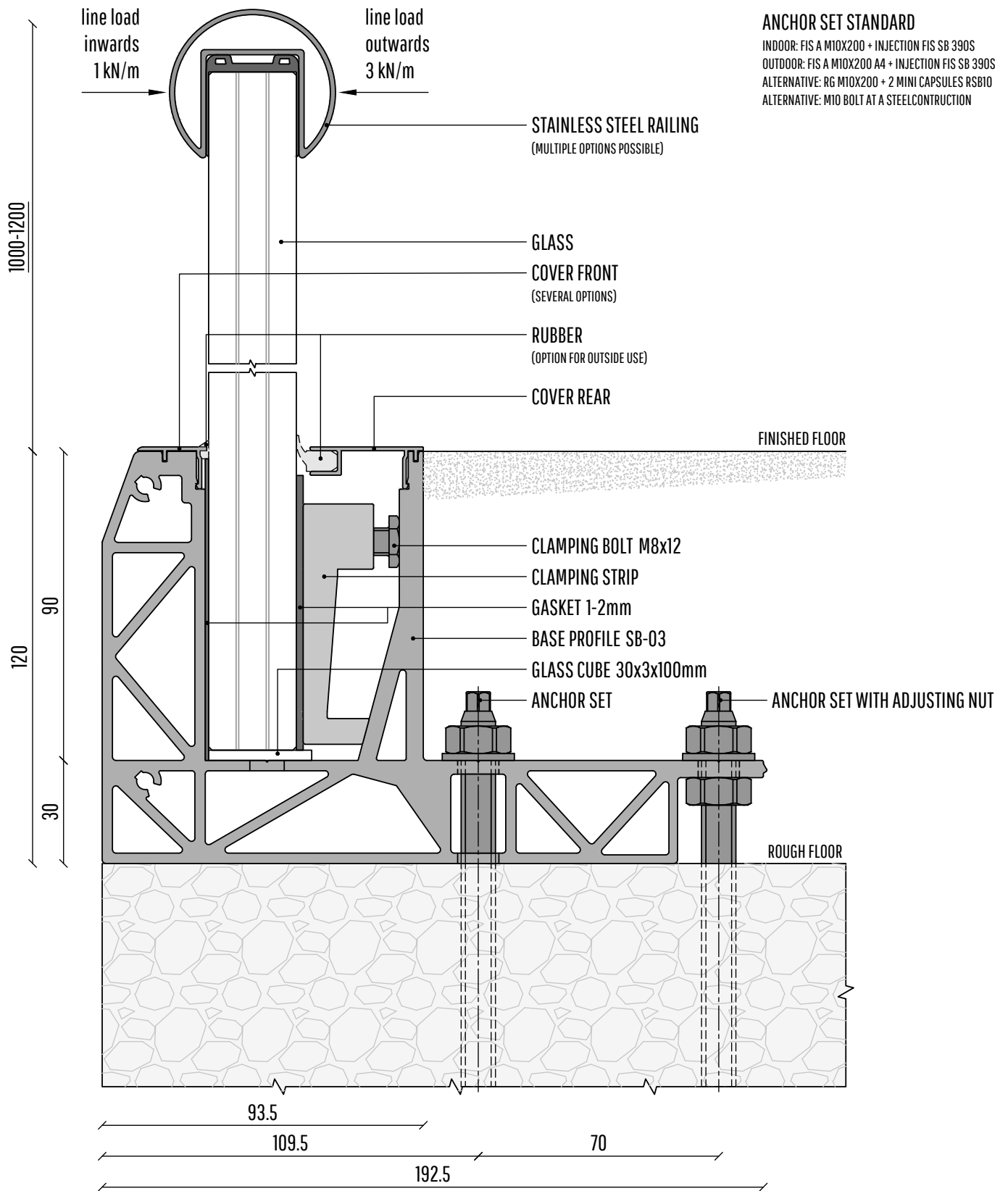
- 2008327 FISCHER injection mortar SB 390 S
- 2089149 FISCHER RSB 10 MINI capsule (alternative)
- 2089141 FISCHER RGM 10x200 Threaded rod indoor
- 2089144 FISCHER RGM 10x200 Threaded rod A4 outdoor



Check the instruction video

UNIQU SB-03 | INFO



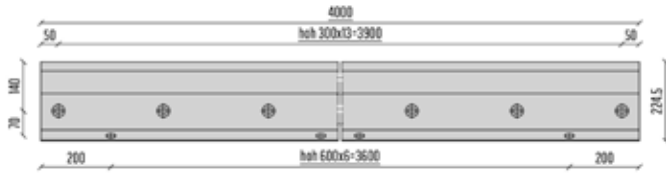


ANCHOR SET STANDARD

INDOOR: FIS A M10X200 + INJECTION FIS SB 390S
 OUTDOOR: FIS A M10X200 A4 + INJECTION FIS SB 390S
 ALTERNATIVE: RG M10X200 + 2 MINI CAPSULES RSB10
 ALTERNATIVE: M10 BOLT AT A STEELCONSTRUCTION

UNIQ SB-A1 | SIDE MOUNTED

1 kN/M



BASE PROFILE

- 2089122 SB-A1 Brute
- 2062745 SB-A1 Stainless look

L
4000 mm
4000 mm

GLASS MOUNTING SET (GMS)

- 2020151 GMS-L1 - 10/10/pvb
- 2028329 GMS-XL1 - 8/8/pvb
- 2028334 GMS-XXL1 - 15

L
4000 mm
4000 mm
4000 mm

Content:
Clamping strip + glass blocks + required packing

REAR COVER

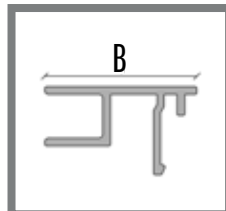
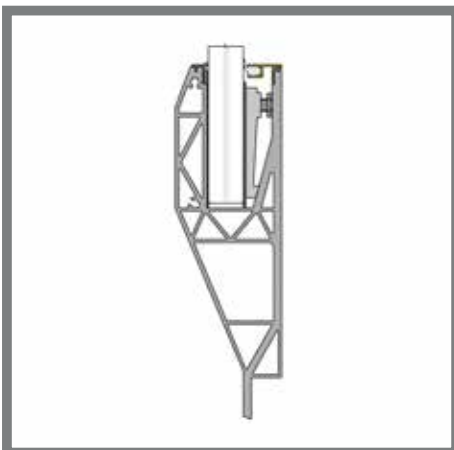
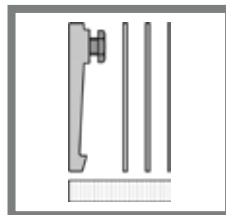
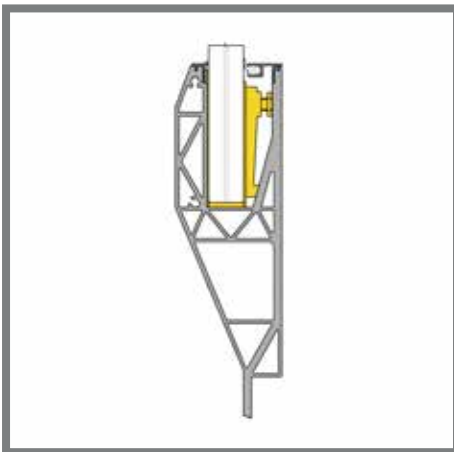
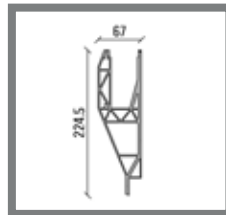
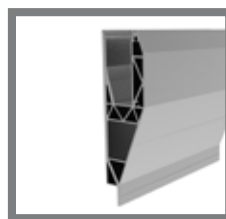
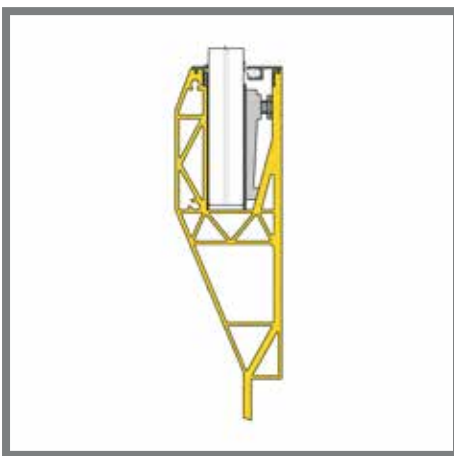
- | | | | |
|---------|------------------------------------|----|---------|
| 2089104 | CR-L1 - 10/10/pvb - Brute | 21 | 4000 mm |
| 2089358 | CR-L1 - 10/10/pvb - Stainless look | 21 | 4000 mm |
| 2089106 | CR-XL1 - 8/8/pvb - Brute | 25 | 4000 mm |
| 2089359 | CR-XL1 - 8/8/pvb - Stainless look | 25 | 4000 mm |
| 2089108 | CR-XXL1 - 15 - Brute | 28 | 4000 mm |
| 2089360 | CR-XXL1 - 15 - Stainless look | 28 | 4000 mm |

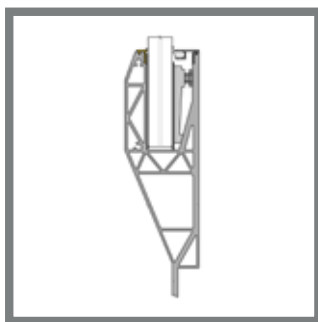
B **L**

OPTIONAL FOR REAR COVER

- 1012309 Rubber for the cover rear

L
1000 mm





FRONT COVER

- 2089088 CF-100 Brute
- 2089350 CF-100 Stainless look

L
4000 mm
4000 mm



OPTIONAL FOR FRONT COVER

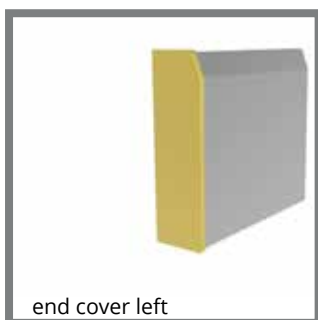
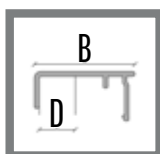
- 1012311 Rubber for the cover front

L
1000 mm



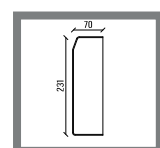
PLATING COVERS

		D	B	L
2089090	CF-103 Brute	3	25	4000 mm
2089351	CF-103 Stainless look	3	25	4000 mm
2089092	CF-112 Brute	12	34	4000 mm
2089352	CF-112 Stainless look	12	34	4000 mm
2089094	CF-120 Brute	20	42	4000 mm
2089353	CF-120 Stainless look	20	42	4000 mm

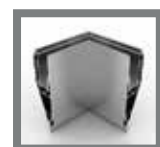
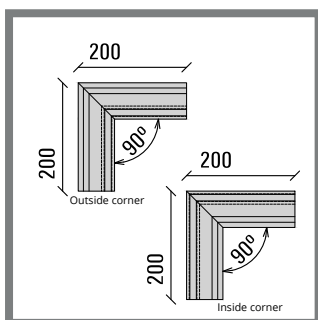


END COVERS

- 2033429 SB-A1 end cover left, Brute
- 2033433 SB-A1 end cover left, Stainless look
- 2033432 SB-A1 end cover right, Brute
- 2033434 SB-A1 end cover right, Stainless look



Small color differences between end caps and profiles are possible.

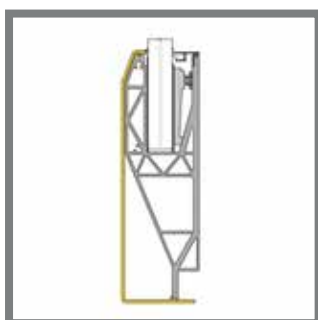


CORNER PIECES

- 2090606 SB-A1 Outside corner Brute
- 2090484 SB-A1 Outside corner Stainless look



- 2090602 SB-A1 Inside corner Brute
- 2090485 SB-A1 Inside corner Stainless look



COVERCAP CC

- 2089065 COVERCAP CC-225 Brute
- 2089067 COVERCAP CC-225 Stainless look



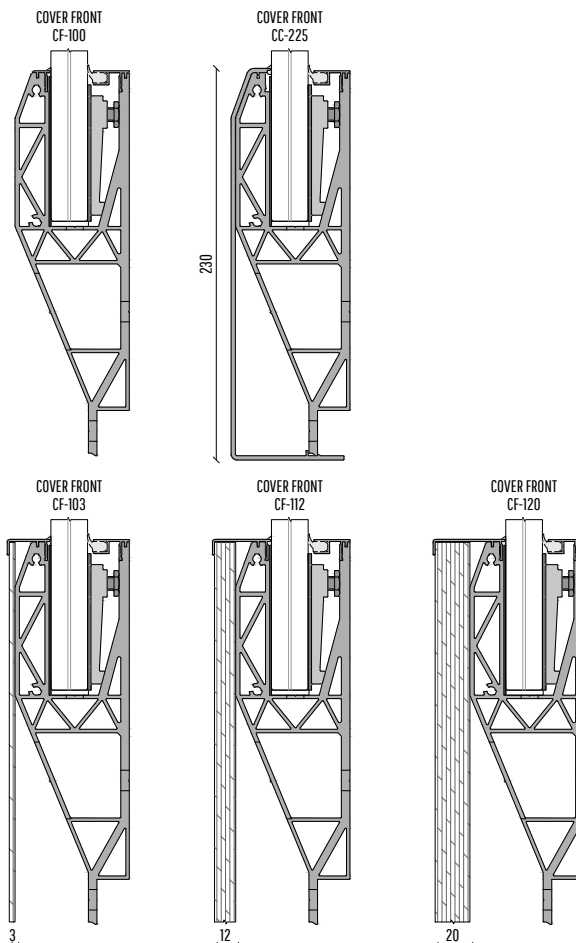
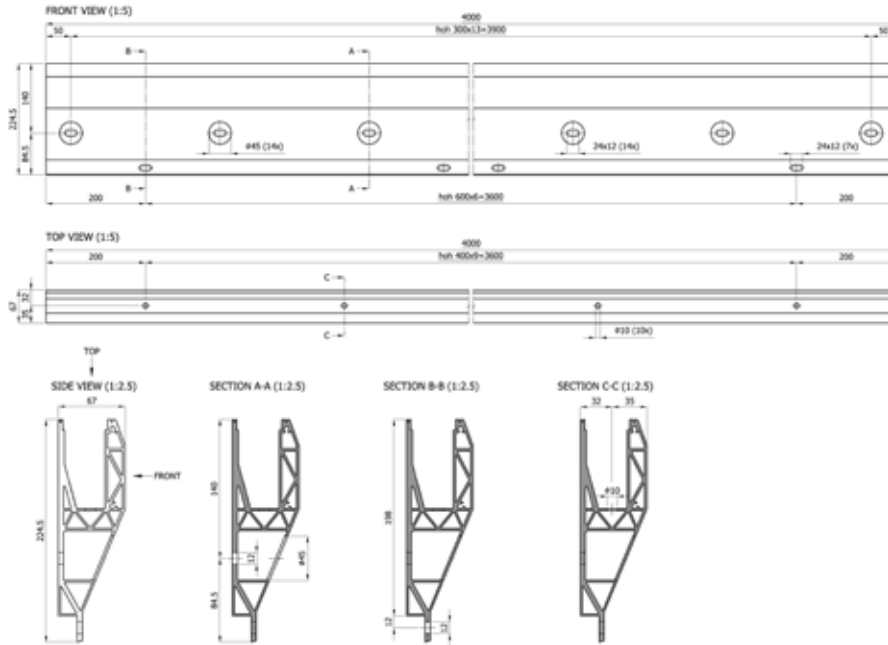
Check the instruction video

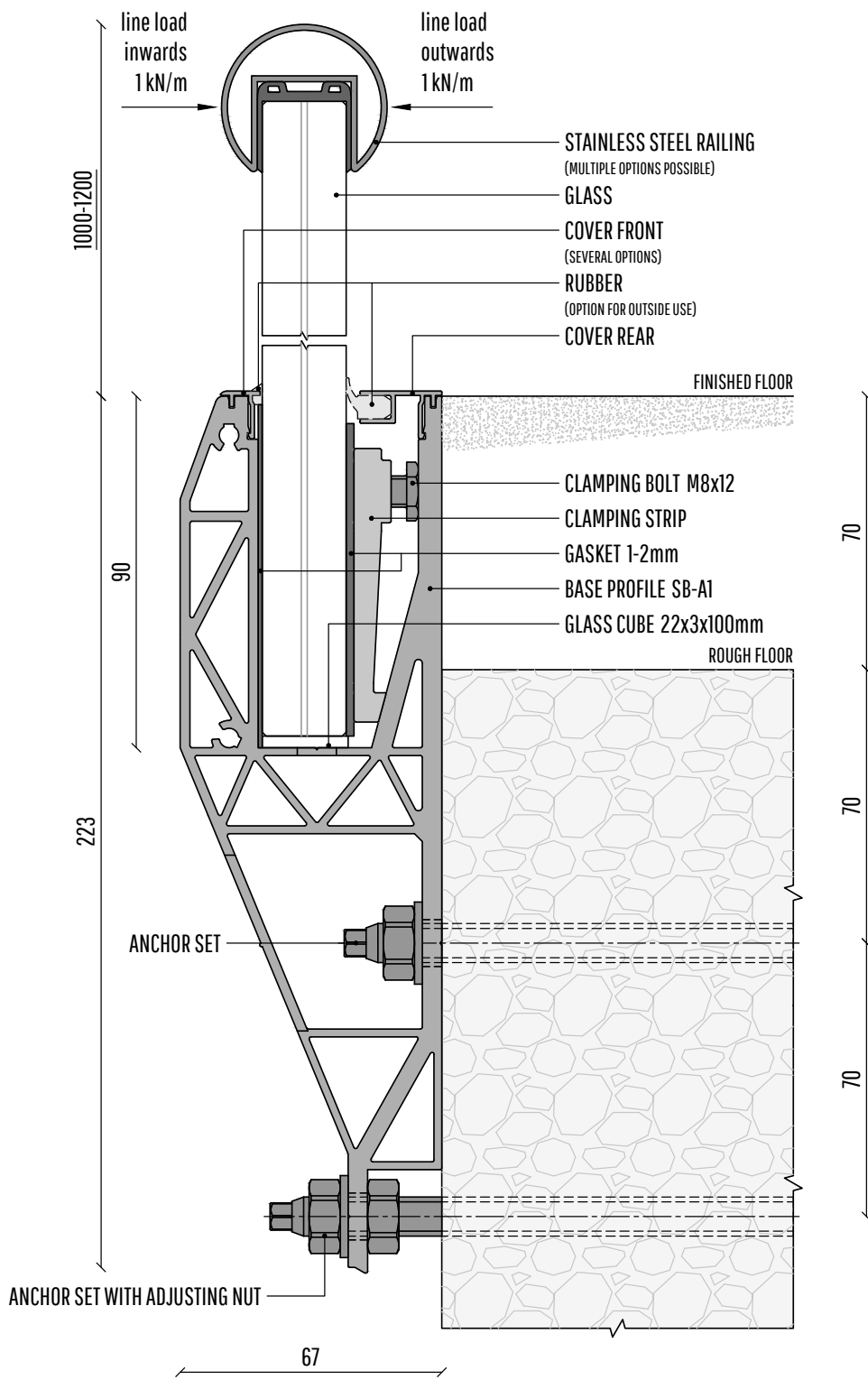


ANCHOR SB-A1

- 2008327 FISCHER injection mortar SB 390 S
- 2089149 FISCHER RSB 10 MINI capsule (alternative)
- 2089142 FIS A M 10x150 Threaded rod indoor
- 2089814 FIS A M 10x150 Threaded rod A4 outdoor

UNIQU SB-A1 | INFO

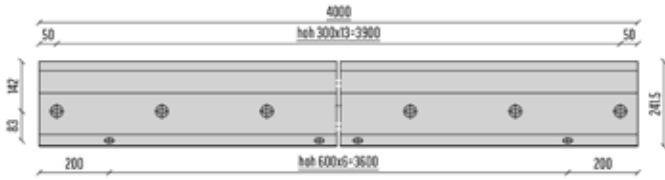




ANCHOR SET STANDARD
 INDOOR: FIS A M10X150 + INJECTION FIS SB 390S
 OUTDOOR: FIS A M10X150 A4+ INJECTION FIS SB 390S
 ALTERNATIVE: RG M10X150 + 2 MINI CAPSULES RS810
 ALTERNATIVE: CONCRETESCREWS M10X160 GALVANIZED
 ALTERNATIVE: M10 BOLT AT A STEELCONSTRUCTION

UNIQU SB-A2 | SIDE MOUNTED

2 kN/M



BASE PROFILE

- 2004963 SB-A2 Brute
- 2001315 SB-A2 Stainless look

L
4000 mm
4000 mm

GLASS MOUNTING SET (GMS)

- 2028356 GMS-L2- 12/12/pvb
- 2028588 GMS-XXL3 - 10/10/pvb
- 2028588 GMS-XXL3 - 19

L
4000 mm
4000 mm
4000 mm

Content:
Clamping strip + glass blocks + required packing

REAR COVER

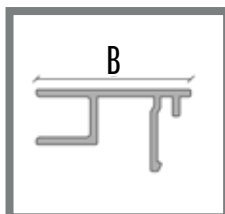
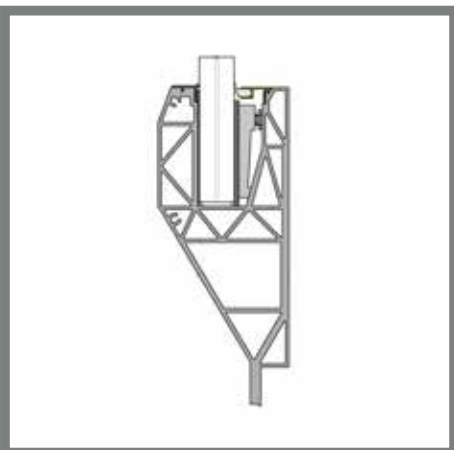
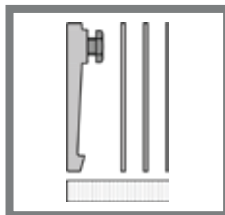
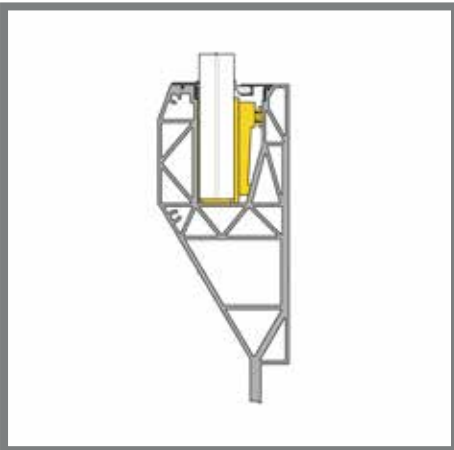
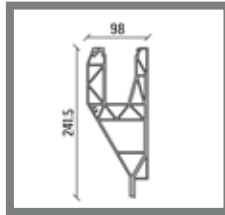
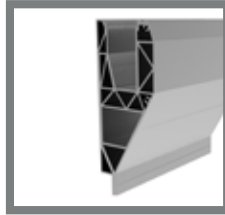
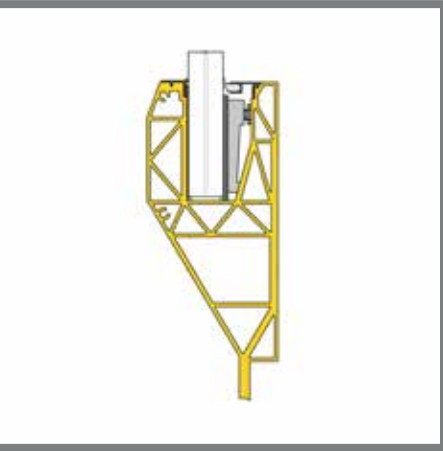
- | | | | |
|---------|--------------------------------------|----|---------|
| 2089106 | CR-XL1 - 12/12/pvb - Brute | 25 | 4000 mm |
| 2089359 | CR-XL1 - 12/12/pvb - Stainless look | 25 | 4000 mm |
| 2089108 | CR-XXL1 - 10/10/pvb - Brute | 28 | 4000 mm |
| 2089360 | CR-XXL1 - 10/10/pvb - Stainless look | 28 | 4000 mm |
| 2089620 | CR-XXL3 - 19 - Brute | 31 | 4000 mm |
| 2089622 | CR-XXL3 - 19 - Stainless look | 31 | 4000 mm |

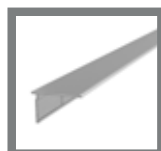
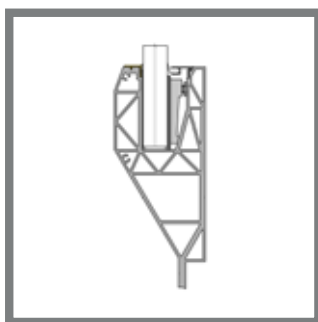
B **L**

OPTIONAL FOR REAR COVER

- 1012309 Rubber for the cover rear

L
1000 mm





FRONT COVER

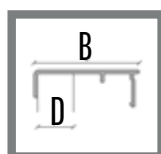
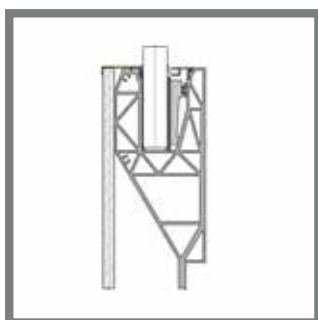
- 2089096 CF-300 Brute
- 2089354 CF-300 Stainless look

L
4000 mm
4000 mm

OPTIONAL FOR FRONT COVER

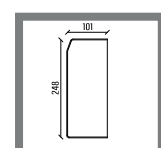
- 1012311 Rubber for the cover front

L
1000 mm



PLATING COVERS

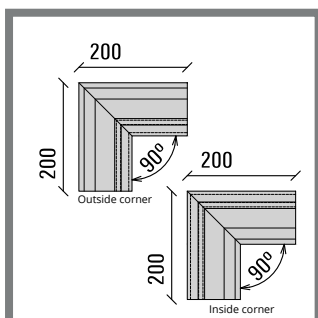
		D	B	L
2089098	CF-303 Brute	3	35	4000 mm
2089355	CF-303 Stainless look	3	35	4000 mm
2089100	CF-312 Brute	12	44	4000 mm
2089356	CF-312 Stainless look	12	44	4000 mm
2089102	CF-320 Brute	20	52	4000 mm
2089357	CF-320 Stainless look	20	52	4000 mm



END COVERS

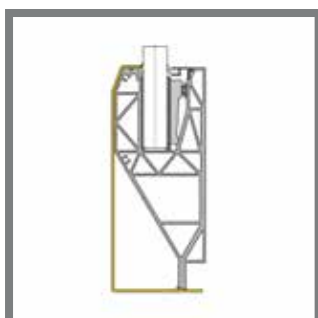
- 2090566 SB-A2 end cover left, Brute
- 2090556 SB-A2 end cover left, Stainless look
- 2090571 SB-A2 end cover right, Brute
- 2090561 SB-A2 end cover right, Stainless look

Small color differences between end caps and profiles are possible.



CORNER PIECES

- 2090612 SB-A2 Outside corner Brute
- 2090486 SB-A2 Outside corner Stainless look
- 2090610 SB-A2 Inside corner Brute
- 2090487 SB-A2 Inside corner Stainless look



COVERCAP CC

- 2089509 COVERCAP CC-240 Brute
- 2089511 COVERCAP CC-240 Stainless look



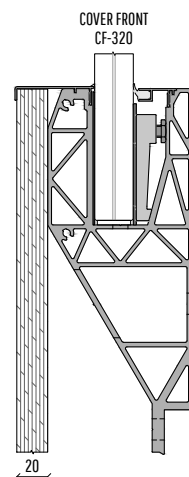
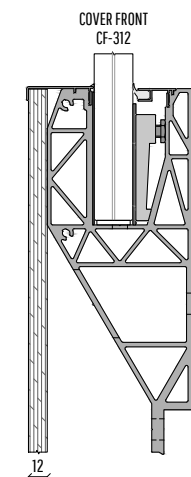
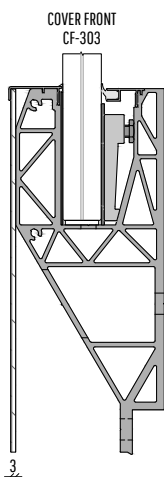
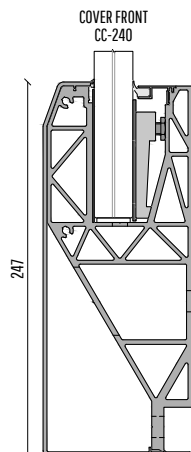
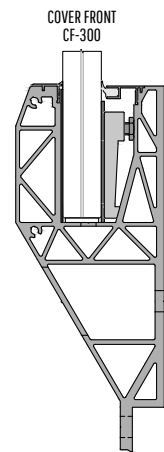
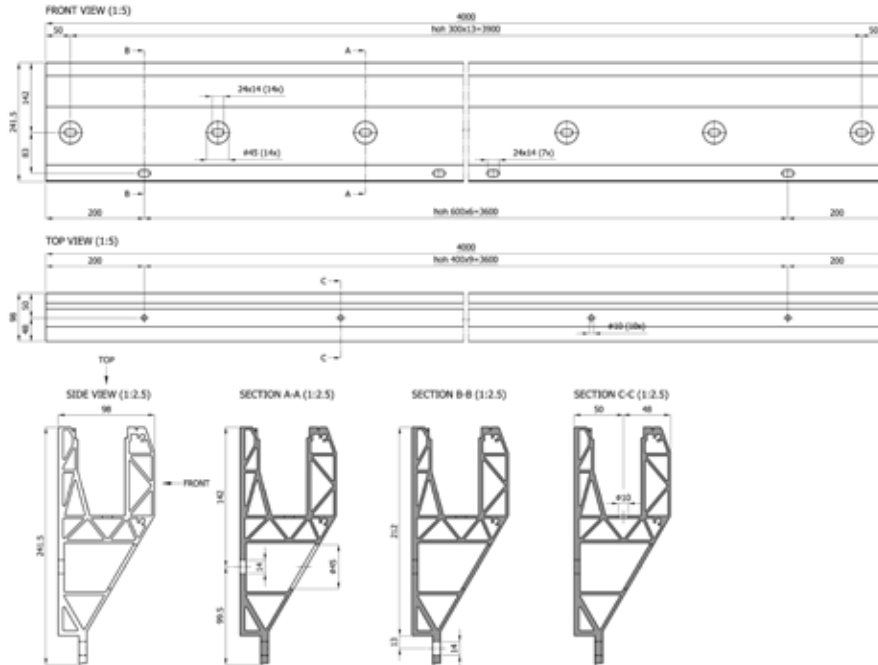
Check the instruction video

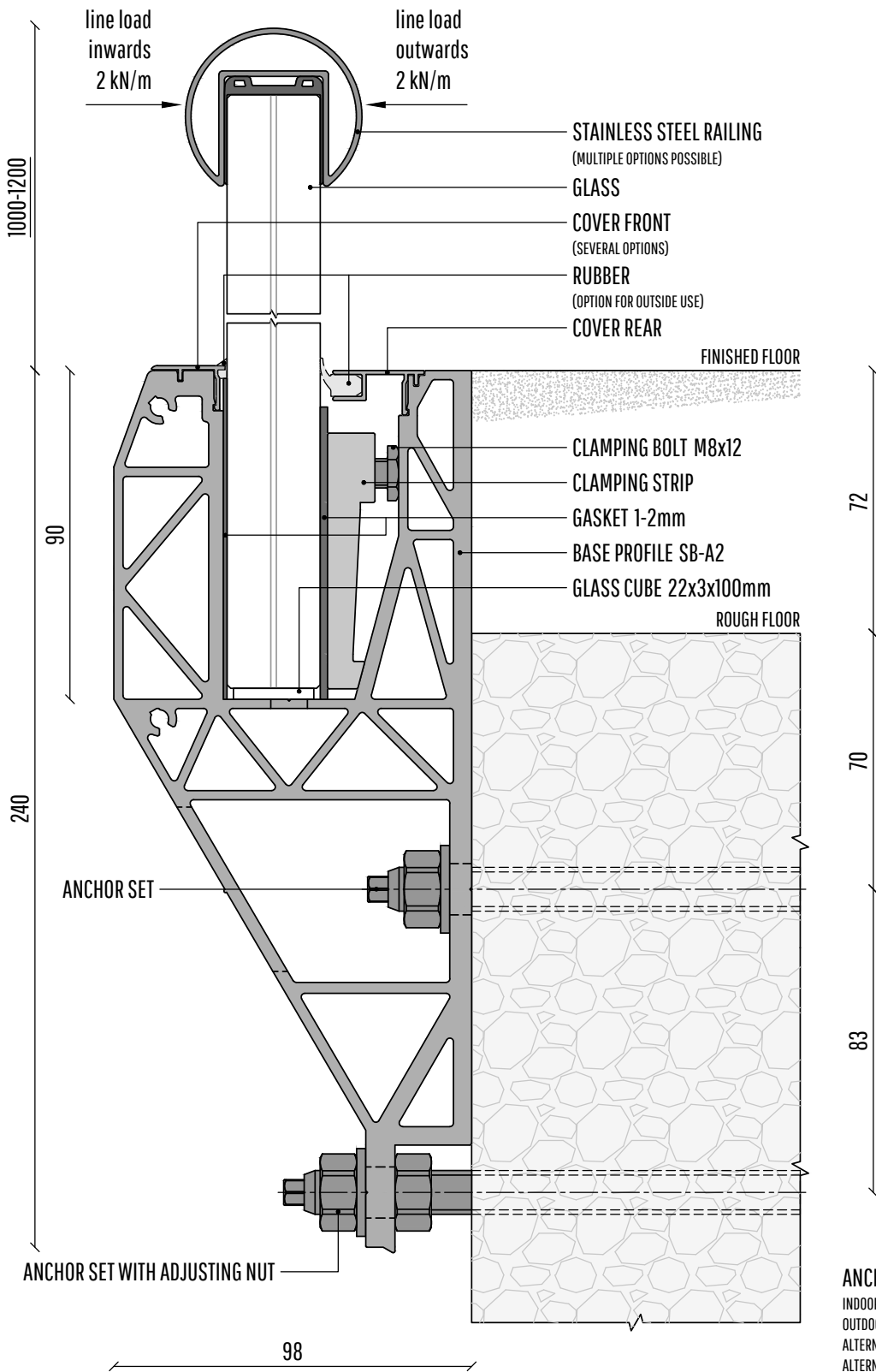


ANCHOR SB-A2

- 2008327 FISCHER injection mortar SB 390 S6
- 2089149 FISCHER RSB 10 MINI capsule (alternative)
- 2089140 FIS A M 12x210 Threaded rod indoor
- 2089813 FIS A M 12x210 Threaded rod A4 outdoor

UNIQU SB-A2 | INFO



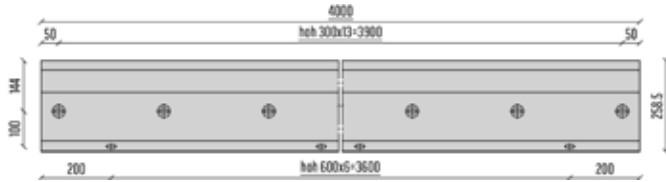


ANCHOR SET STANDARD

INDOOR: FIS A M12X210 + INJECTION FIS SB 390S
 OUTDOOR: FIS A M12X210 A4 + INJECTION FIS SB 390S
 ALTERNATIVE: RG M12X210 + 2 MINI CAPSULES RS810
 ALTERNATIVE: M12 BOLT AT A STEELCONSTRUCTION

UNIQU SB-A3 | SIDE MOUNTED

3 kN/M



BASE PROFILE

- 2089512 SB-A3 Brute
- 2089513 SB-A3 Stainless look

L
4000 mm
4000 mm

GLASS MOUNTING SET (GMS)

- 2028527 GMS-XL3 - 12/12/pvb
- 2028527 GMS-XL3 - 8/8/8/pvb
- 2028420 GMS-L3 - 15/15/pvb
- 2028420 GMS-L3 - 10/10/10/pvb

L
4000 mm
4000 mm
4000 mm
4000 mm

Content:
Clamping strip + glass blocks + required packing

REAR COVER

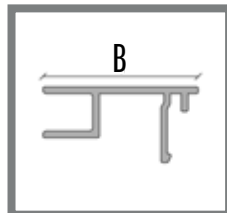
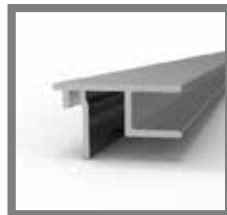
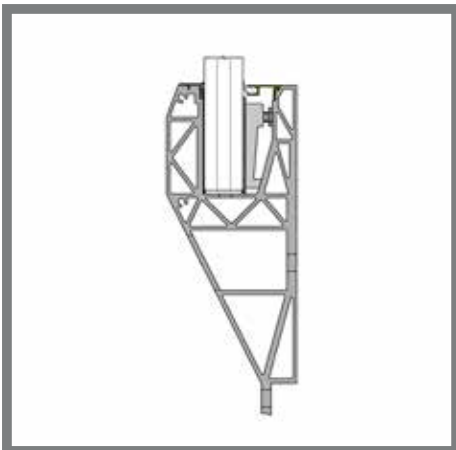
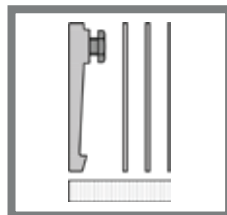
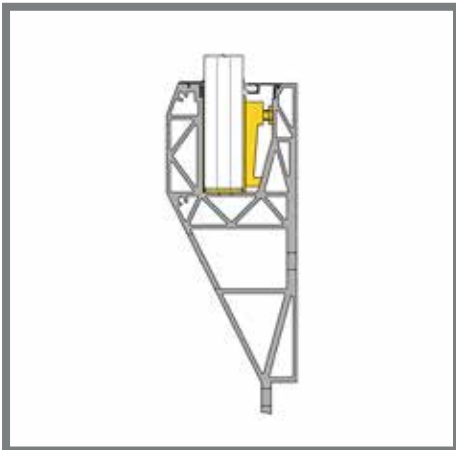
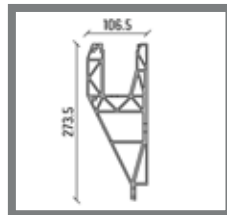
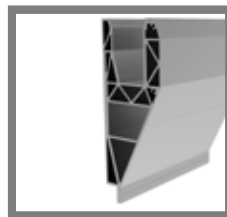
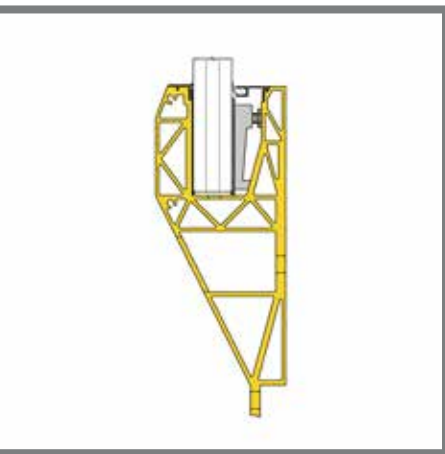
- 2089114 CR-XL3 - 12/12/pvb - Brute
- 2089363 CR-XL3 - 12/12/pvb - Stainless look
- 2089114 CR-XL3 - 8/8/8/pvb - Brute
- 2089363 CR-XL3 - 8/8/8/pvb - Stainless look
- 2089112 CR-L3 - 15/15/pvb - Brute
- 2089362 CR-L3 - 15/15/pvb - Stainless look
- 2089112 CR-L3 - 10/10/10/pvb - Brute
- 2089362 CR-L3 - 10/10/10/pvb - Stainless look

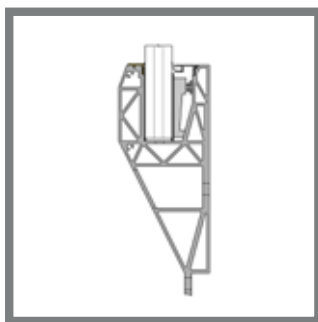
B **L**
33 4000 mm
33 4000 mm
33 4000 mm
33 4000 mm
27 4000 mm
27 4000 mm
27 4000 mm
27 4000 mm

OPTIONAL FOR REAR COVER

- 1012309 Rubber for the cover rear

L
1000 mm





FRONT COVER

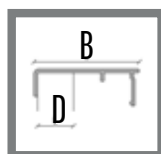
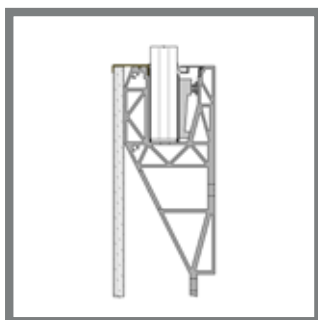
- 2089096 CF-300 Brute
- 2089354 CF-300 Stainless look

L
4000 mm
4000 mm

OPTIONAL FOR FRONT COVER

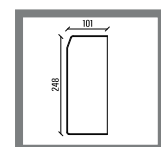
- 1012311 Rubber for the cover front

L
1000 mm



PLATING COVERS

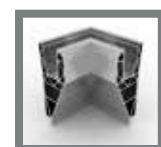
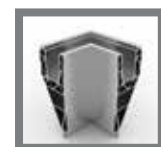
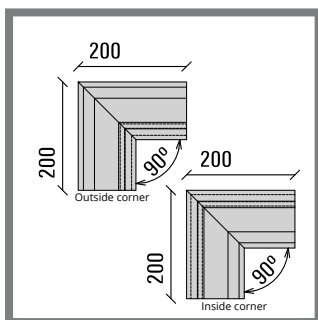
		D	B	L
2089098	CF-303 Brute	3	35	4000 mm
2089355	CF-303 Stainless look	3	35	4000 mm
2089100	CF-312 Brute	12	44	4000 mm
2089356	CF-312 Stainless look	12	44	4000 mm
2089102	CF-320 Brute	20	52	4000 mm
2089357	CF-320 Stainless look	20	52	4000 mm



END COVERS

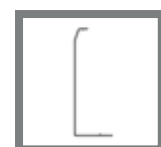
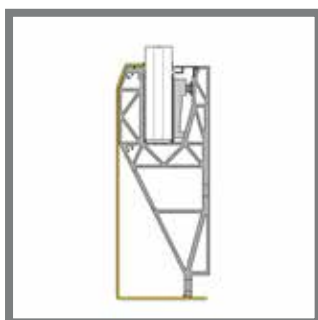
- 2090567 SB-A3 end cover left, Brute
- 2090557 SB-A3 end cover left, Stainless look
- 2090572 SB-A3 end cover right, Brute
- 2090562 SB-A3 end cover right, Stainless look

Small color differences between end caps and profiles are possible.



CORNER PIECES

- 2090616 SB-A3 Outside corner Brute
- 2090488 SB-A3 Outside corner Stainless look
- 2090614 SB-A3 Inside corner Brute
- 2090489 SB-A3 Inside corner Stainless look



COVERCAP CC

- 2089081 COVERCAP CC-260 Brute
- 2089083 COVERCAP CC-260 Stainless look



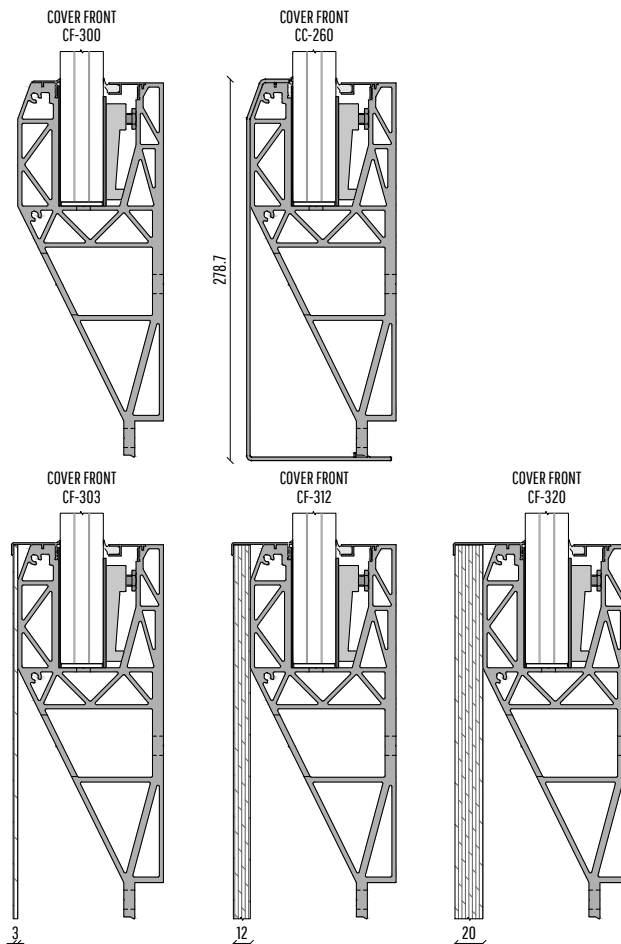
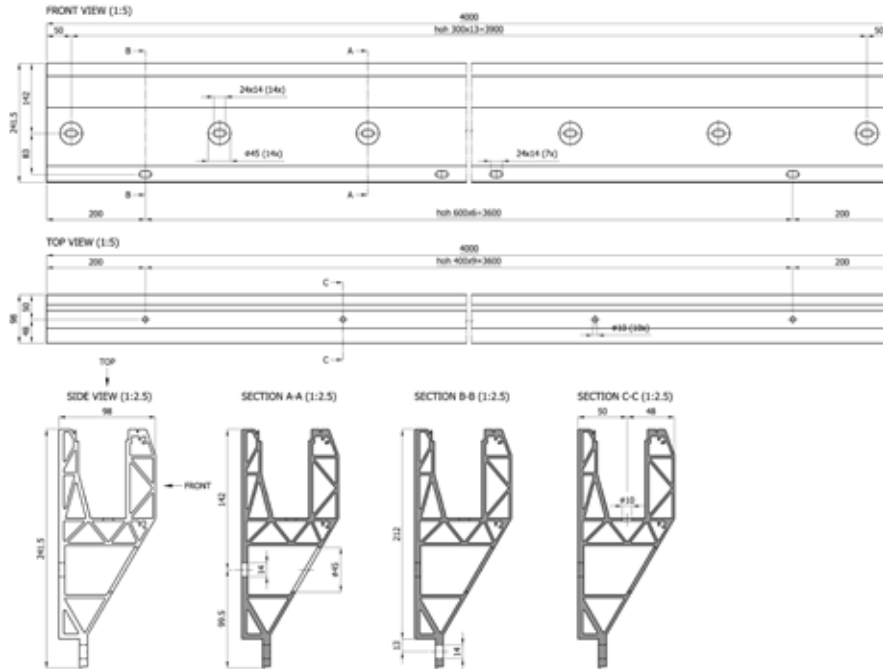
Check the instruction video

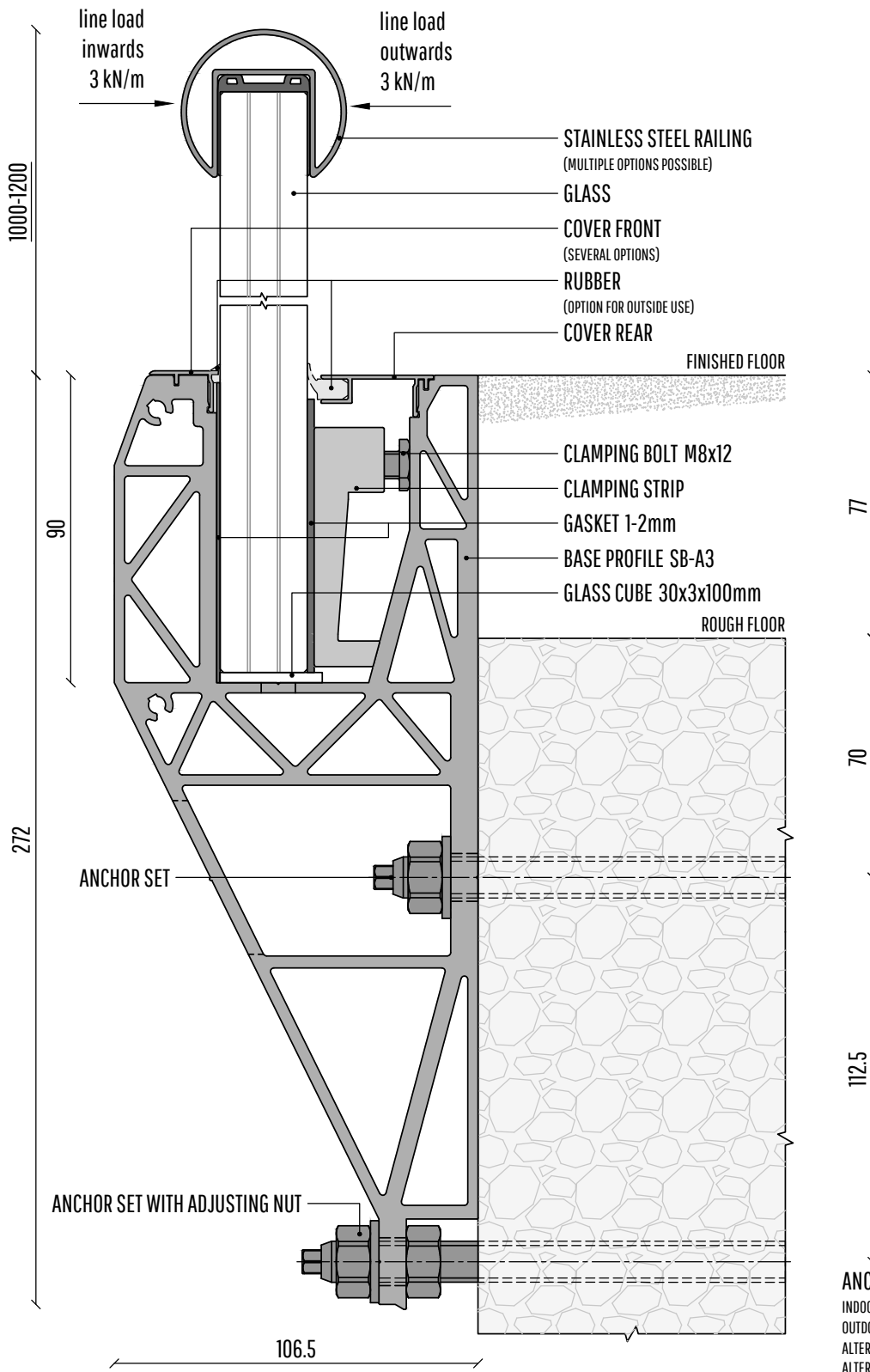


ANCHOR SB-A3

- 2008327 FISCHER injection mortar SB 390 S
- 2089149 FISCHER RSB 10 MINI capsule (alternative)
- 2089140 FIS A M 12x210 Threaded rod indoor
- 2089813 FIS A M 12x210 Threaded rod A4 outdoor

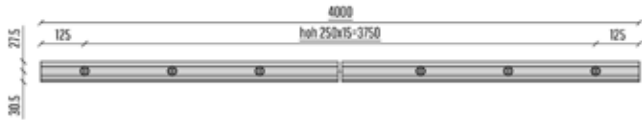
UNIQU SB-A3 | INFO





ANCHOR SET STANDARD
 INDOOR: FIS A M12X210 + INJECTION FIS SB 390S
 OUTDOOR: FIS A M12X210 A4 + INJECTION FIS SB 390S
 ALTERNATIVE: RG M12X210 + 2 MINI CAPSULES RSB10
 ALTERNATIVE: M12 BOLT AT A STEELCONSTRUCTION

UNIQ SB-O 0.5S | TOP MONTAGE 0.5 kN/m



BASE PROFILE

- 2089015 SB-O 0.5S Brute
- 2089017 SB-O 0.5S Stainless look

L
4000 mm
4000 mm

GLASS MOUNTING SET (GMS)

- 2020151 GMS-L1 - 8/8/pvb
- 2028329 GMS-XL1 - 6/6/pvb

L
4000 mm
4000 mm

Content:
Clamping strip + glass blocks + required packing

REAR COVER

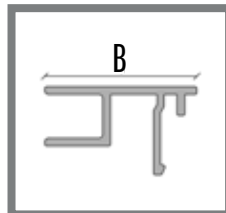
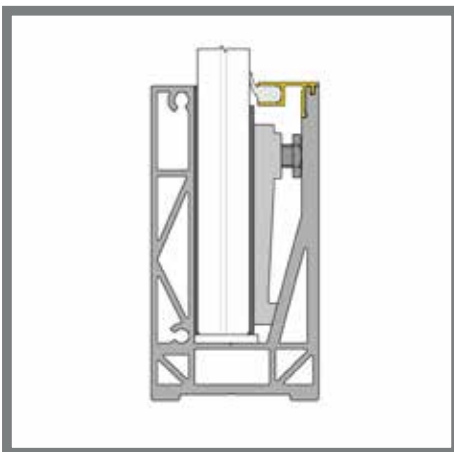
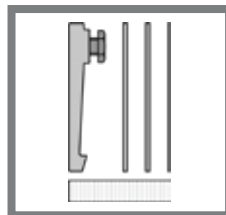
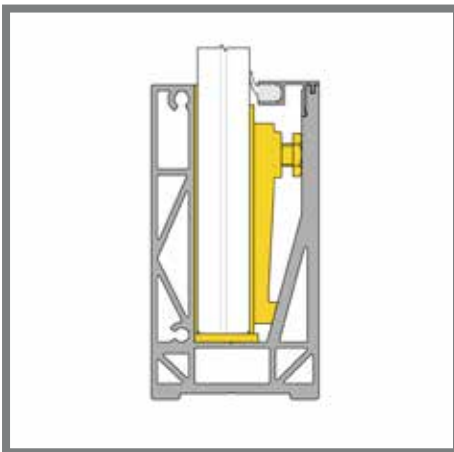
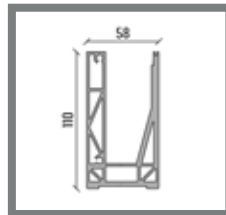
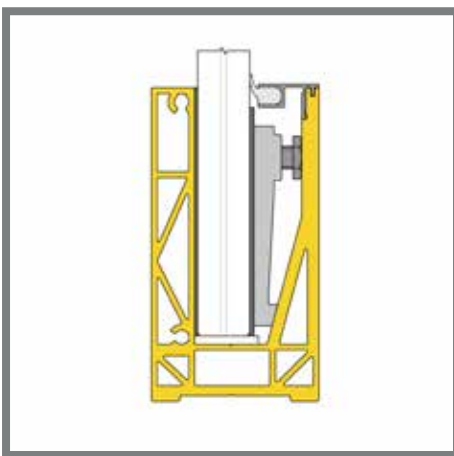
- 2089104 CR-L1 - 8/8/pvb - Brute
- 2089358 CR-L1 - 8/8/pvb - Stainless look
- 2089106 CR-XL1 - 6/6/pvb - Brute
- 2089359 CR-XL1 - 6/6/pvb - Stainless look

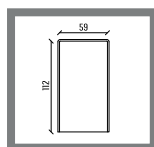
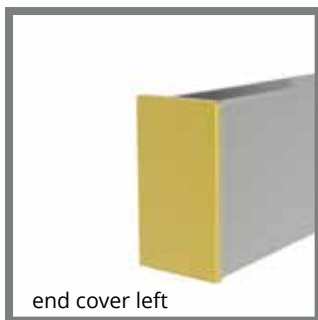
B **L**
21 4000 mm
21 4000 mm
25 4000 mm
25 4000 mm

OPTIONAL FOR REAR COVER

- 1012309 Rubber for the cover rear

L
1000 mm

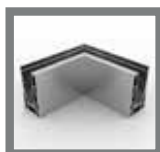
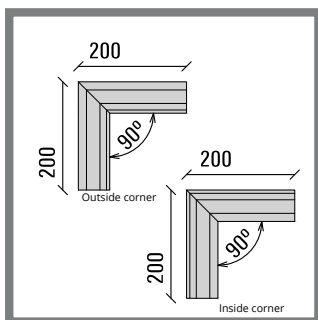




END COVERS

- 2033417 SB-O 0.5S end cover left, Brute
- 2033419 SB-O 0.5S end cover left, Stainless look
- 2033418 SB-O 0.5S end cover right, Brute
- 2033420 SB-O 0.5S end cover right, Stainless look

Small color differences between end caps and profiles are possible.



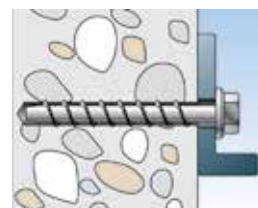
CORNER PIECES

- 2090581 SB-O 0.5S Outside corner Brute
- 2090498 SB-O 0.5S Outside corner Stainless look
- 2090577 SB-O 0.5S Inside corner Brute
- 2090499 SB-O 0.5S Inside corner Stainless look

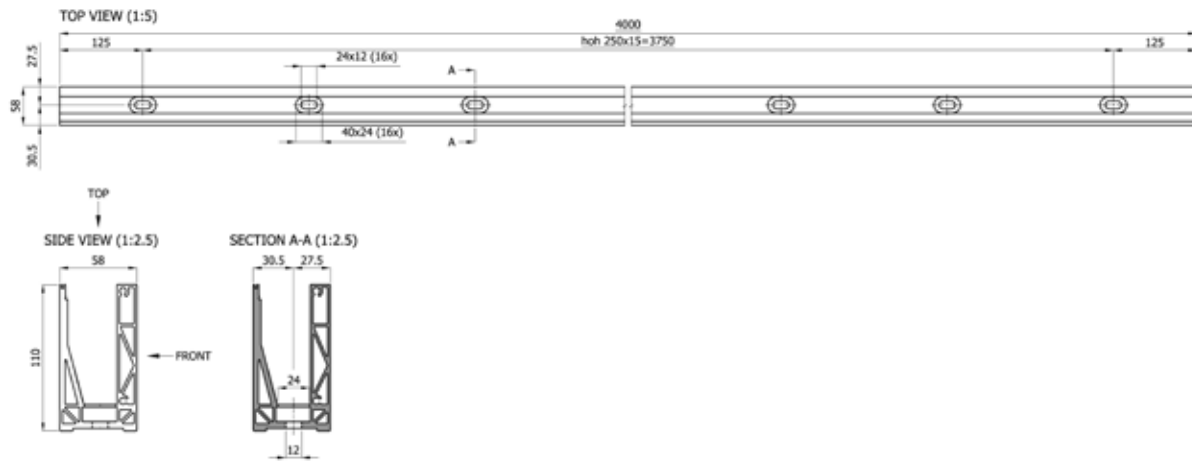


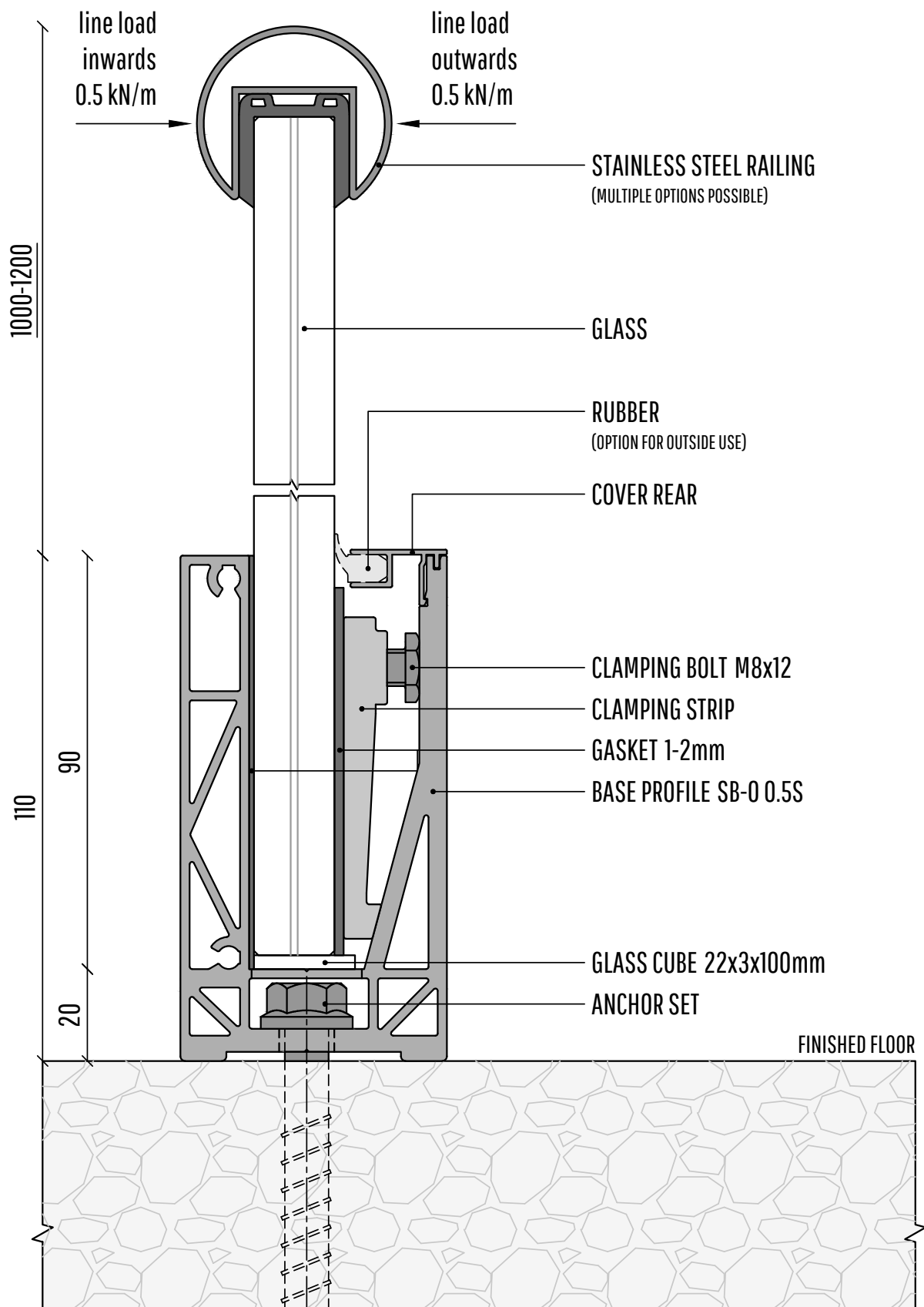
ANCHOR SB-O 0.5S

- 2089145 FISCHER FBS II 10x120/35 US Concrete screw indoor
- 2089143 FISCHER FBS II 10x120/35 US Concrete screw A4 outdoor



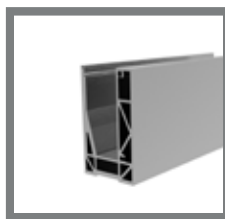
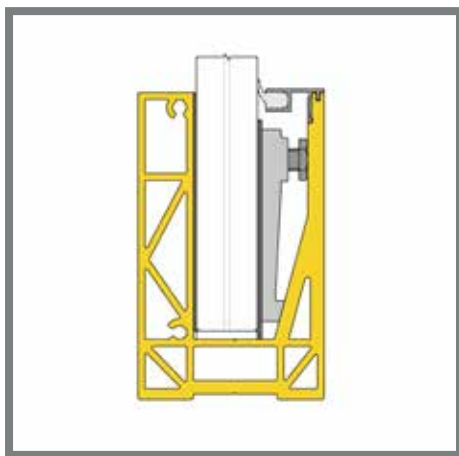
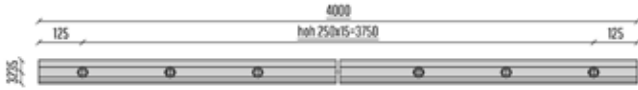
UNIQU SB-0 0.5S | INFO





UNIQU SB-01S | TOP MONTAGE

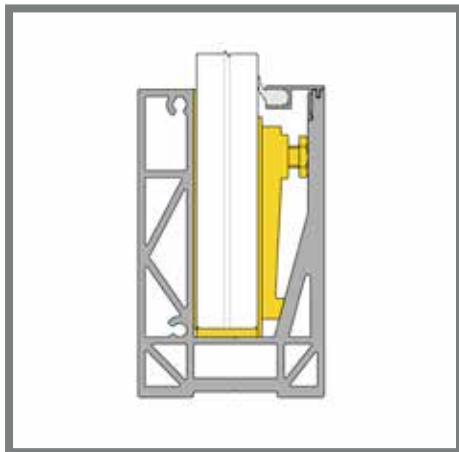
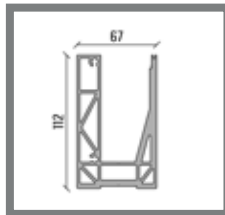
1 kN/M



BASE PROFILE

- 2089022 SB-O1S Brute
- 2089024 SB-O1S Stainless look
- 2089023 SB-O1S Satin black

L
4000 mm
4000 mm
4000 mm

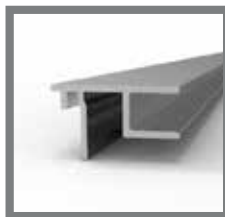
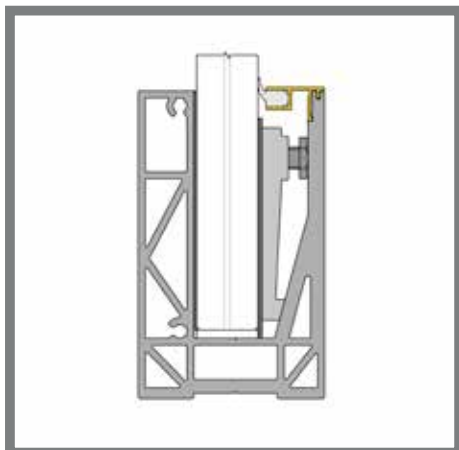
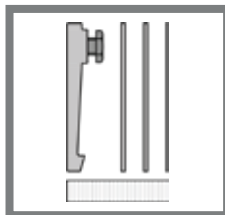


GLASS MOUNTING SET (GMS)

- 2020151 GMS-L1 - 10/10/pvb
- 2028329 GMS-XL1 - 8/8/pvb
- 2028334 GMS-XXL1 - 15

L
4000 mm
4000 mm
4000 mm

Content:
Clamping strip + glass blocks + required packing



REAR COVER

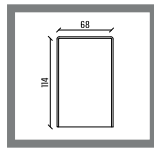
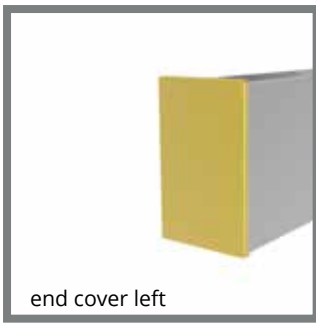
- 2089104 CR-L1 - 10/10/pvb - Brute
- 2089358 CR-L1 - 10/10/pvb - Stainless look
- 2089105 CR-L1 - 10/10/pvb - Satin black
- 2089106 CR-XL1 - 8/8/pvb - Brute
- 2089359 CR-XL1 - 8/8/pvb - Stainless look
- 2089107 CR-XL1 - 8/8/pvb - Satin black
- 2089108 CR-XXL1 - 15 - Brute
- 2089360 CR-XXL1 - 15 - Stainless look

B	L
21	4000 mm
21	4000 mm
21	4000 mm
25	4000 mm
25	4000 mm
25	4000 mm
28	4000 mm
28	4000 mm

OPTIONAL FOR REAR COVER

- 1012309 Rubber for the cover rear

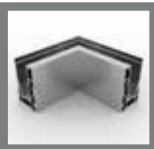
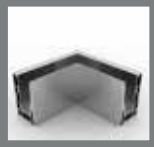
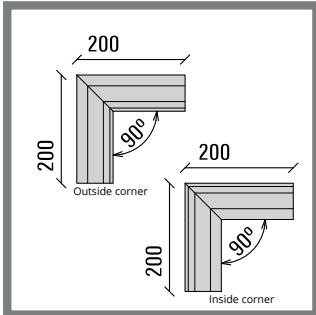
L
1000 mm



END COVERS

- 2033421 SB-O1S end cover left, Brute
- 2033423 SB-O1S end cover left, Stainless look
- 2091395 SB-O1S end cover left, Satin black
- 2033422 SB-O1S end cover right, Brute
- 2033424 SB-O1S end cover right, Stainless look
- 2091396 SB-O1S end cover left, satijn zwart

Small color differences between end caps and profiles are possible.



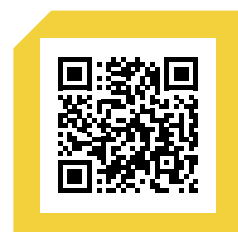
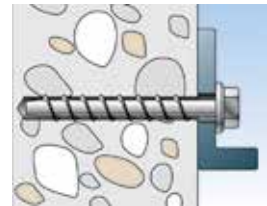
CORNER PIECES

- 2090593 SB-O1S Outside corner Brute
- 2090501 SB-O1S Outside corner Stainless look
- 2091426 SB-O1S Outside corner Satin black
- 2090585 SB-O1S Inside corner Brute
- 2090502 SB-O1S Inside corner Stainless look
- 2091427 SB-O1S Inside corner Satin black

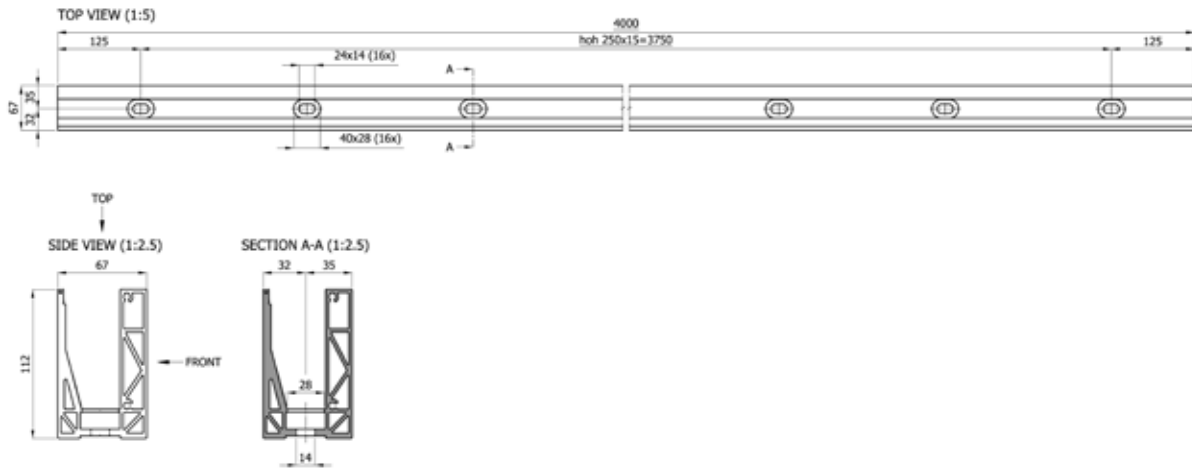


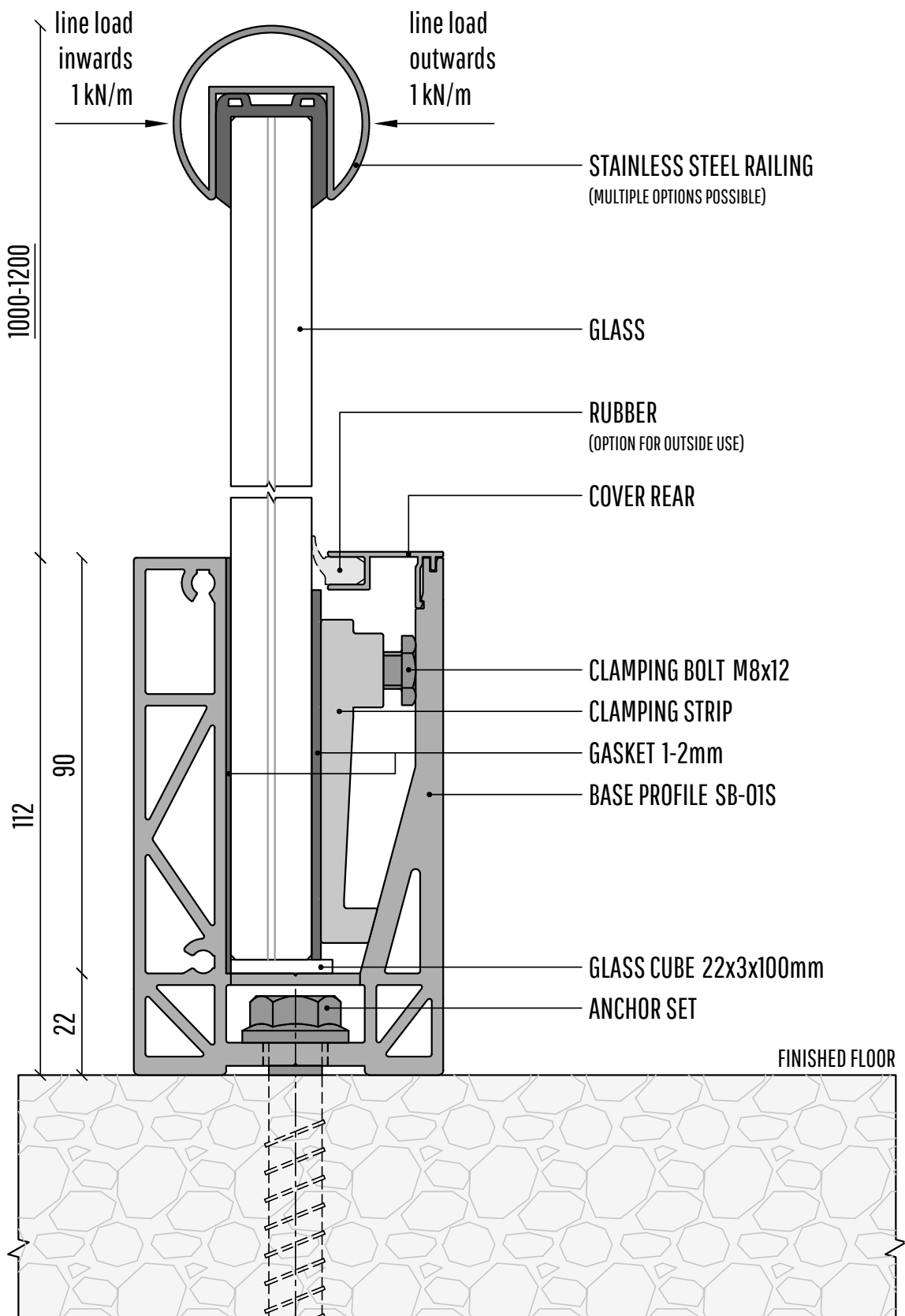
ANCHOR SB-01S

- 2089146 FISCHER FBS II 12x130/30 US Concrete screw indoor
- 2090469 FISCHER FBS II 12x130/30 US Concrete screw A4 outdoor



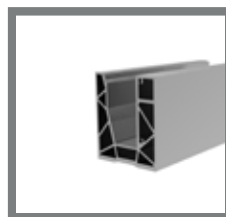
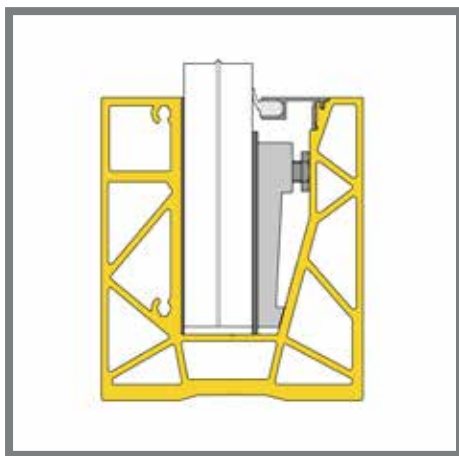
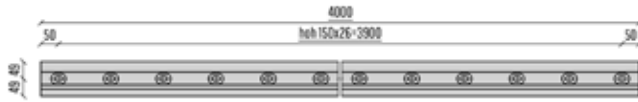
UNIQ SB-01S | INFO





UNIQ SB-02S | TOP MONTAGE

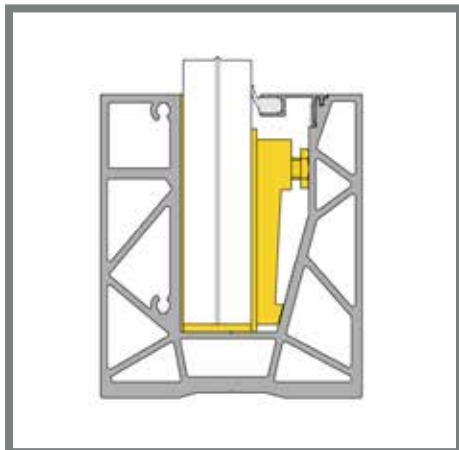
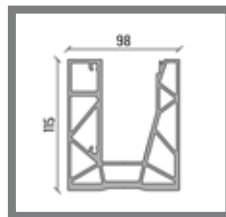
2 kN/M



BASE PROFILE

- 2090302 SB-02S Brute
- 2090303 SB-02S Stainless look

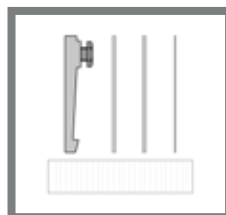
L
4000 mm
4000 mm



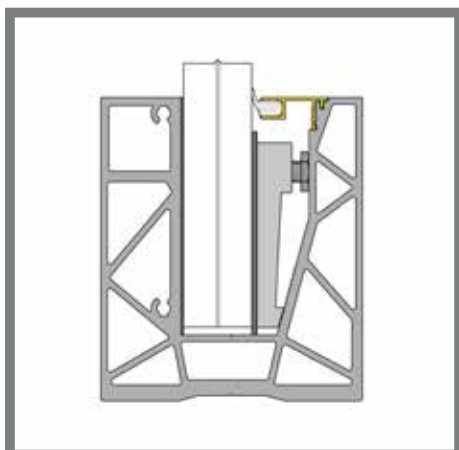
GLASS MOUNTING SET (GMS)

- 2028356 GMS-L2 - 12/12/pvb
- 2028588 GMS-XXL3 - 10/10/pvb
- 2028588 GMS-XXL3 - 19

L
4000 mm
4000 mm
4000 mm



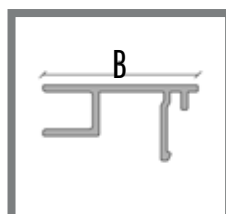
Content:
Clamping strip + glass blocks + required packing



REAR COVER

- 2089106 CR-XL1 - 12/12/pvb - Brute
- 2089359 CR-XL1 - 12/12/pvb - Stainless look
- 2089108 CR-XXL1 - 10/10/pvb - Brute
- 2089360 CR-XXL1 - 10/10/pvb - Stainless look
- 2089620 CR-XXL3 - 19 - Brute
- 2089622 CR-XXL3 - 19 - Stainless look

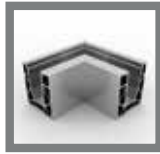
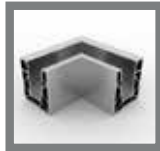
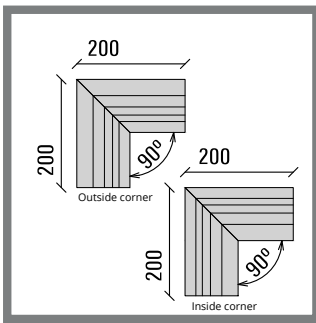
B **L**
25 4000 mm
25 4000 mm
28 4000 mm
28 4000 mm
31 4000 mm
31 4000 mm



OPTIONAL FOR REAR COVER

- 1012309 Rubber for the cover rear

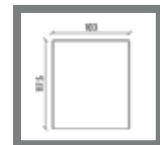
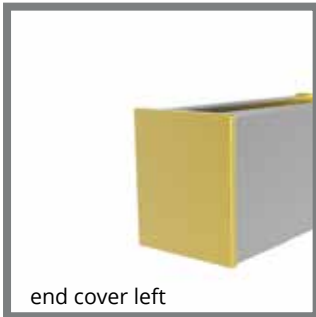
L
1000 mm



CORNER PIECES

- 2090599 SB-O2S Outside corner Brute
- 2090503 SB-O2S Outside corner Stainless look

- 2090600 SB-O2S Inside corner Brute
- 2090504 SB-O2S Inside corner Stainless look



END COVERS

- 2090545 SB-O2S end cover left, Brute
- 2090410 SB-O2S end cover left, Stainless look
- 2090546 SB-O2S end cover right, Brute
- 2090411 SB-O2S end cover right, Stainless look

Small color differences between end caps and profiles are possible.



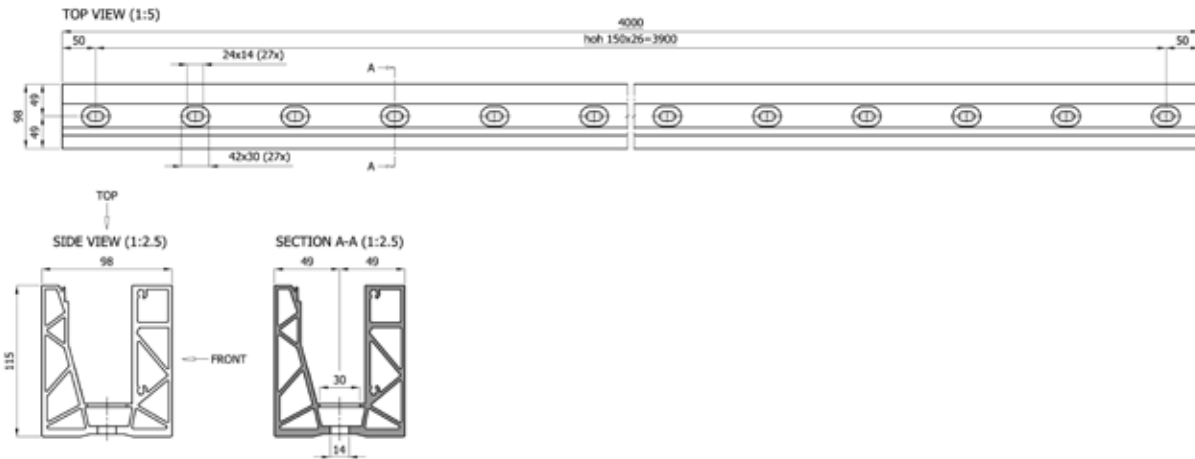
ANCHOR SB-O2S

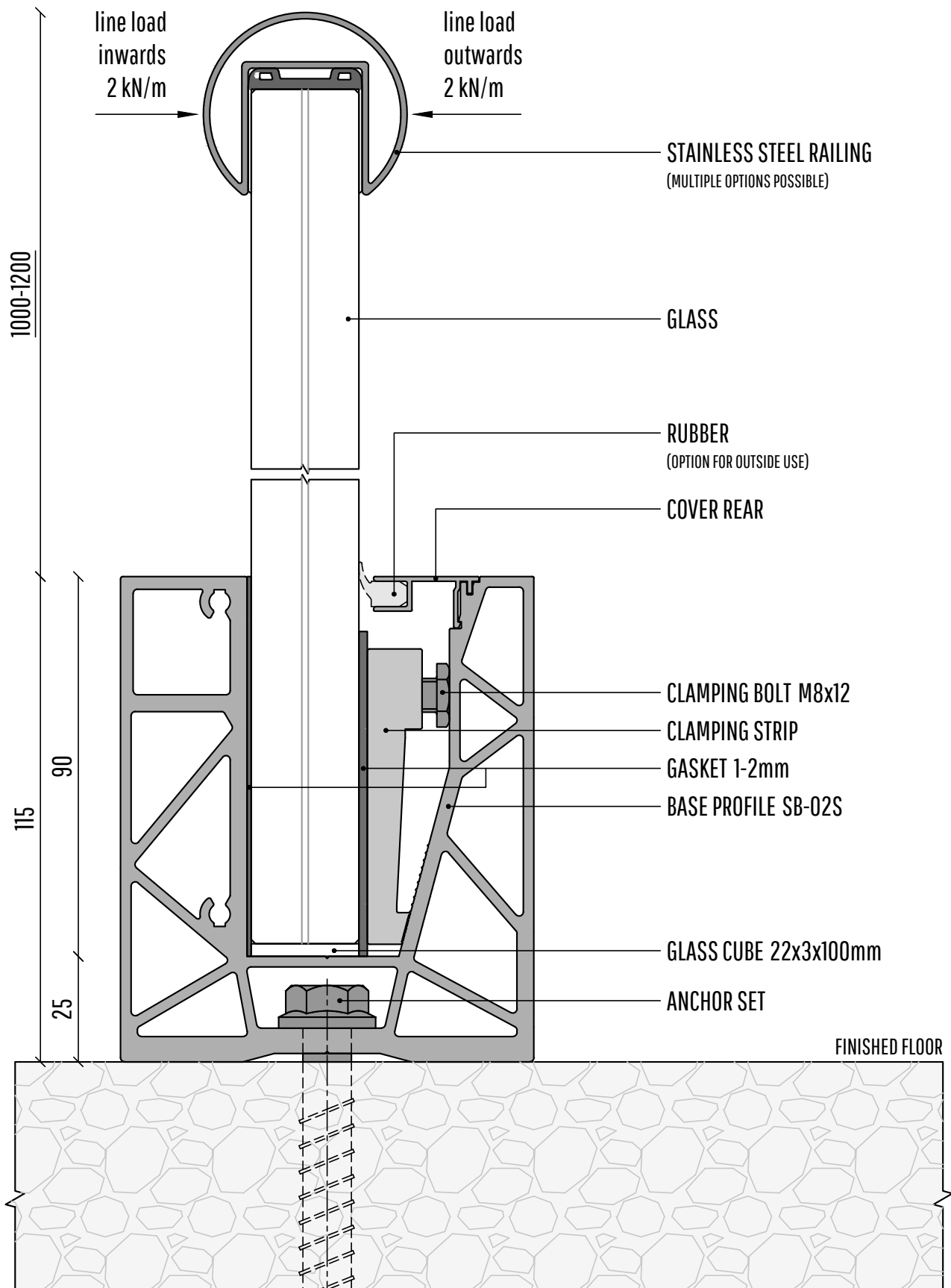
- 2090470 FISCHER FBS II 12x110 50/35/10 US Concrete screw indoor
- 2090471 FISCHER FBS II 12x110 10/- US A4 Concrete screw A4 outdoor



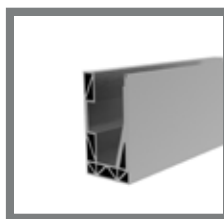
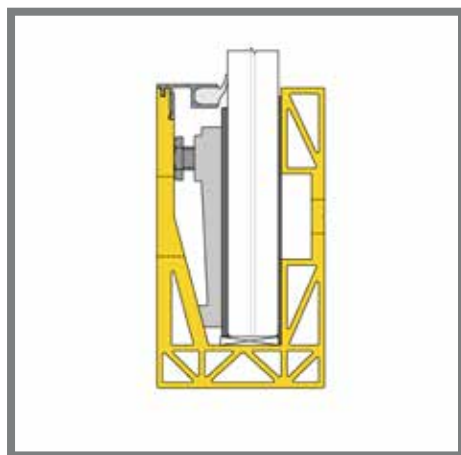
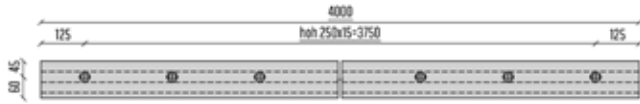
Check the instruction video

UNIQU SB-02S | INFO





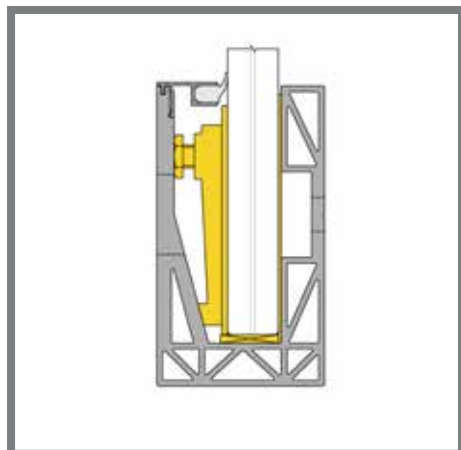
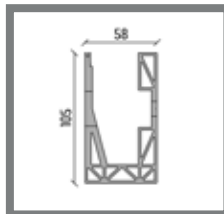
UNIQ SB-A 0.5SI | SIDE MOUNTED 0.6 kN/M



BASE PROFILE

- 2089050 SB-A 0.5SI Brute
- 2091500 SB-A 0.5SI Stainless look

L
4000 mm
4000 mm

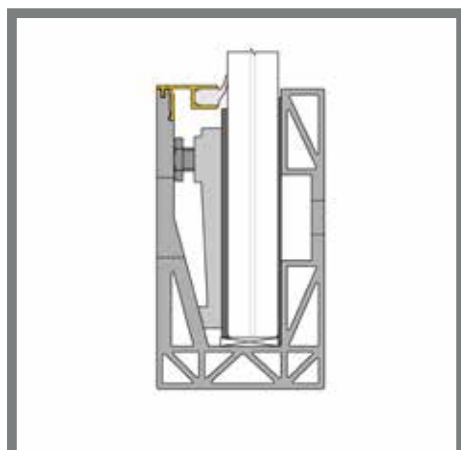
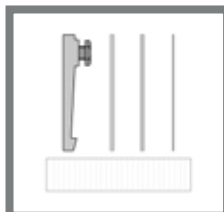


GLASS MOUNTING SET (GMS)

- 2020151 GMS-L1- 8/8/pvb

L
4000 mm

Content:
Clamping strip + glass blocks + required packing



REAR COVER

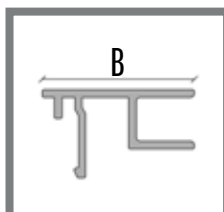
- 2089104 CR-L1 - 8/8/pvb - Brute
- 2089358 CR-L1 - 8/8/pvb - Stainless look

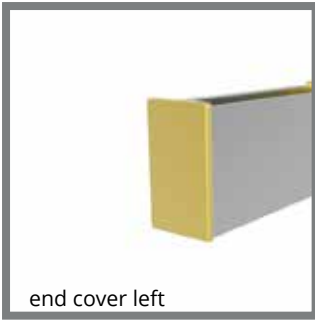
B **L**
21 4000 mm
21 4000 mm

OPTIONAL FOR REAR COVER

- 1012309 Rubber for the cover rear

L
1000 mm





END COVERS

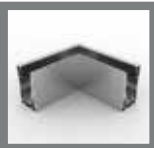
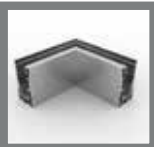
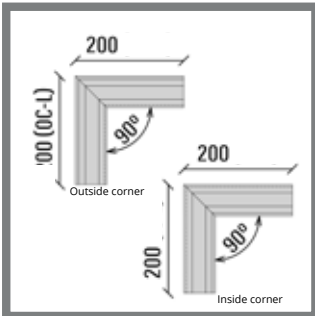
- 2091661 SB-A 0.5SI end cover left, Brute
- 2091663 SB-A 0.5SI end cover left, Stainless look
- 2091662 SB-A 0.5SI end cover right, Brute
- 2091665 SB-A 0.5SI end cover right, Stainless look

Small color differences between end caps and profiles are possible.



COVER CAP MOUNTING HOLE

- 201271 Cover cap mounting hole 28 mm



CORNER PIECES

- 2091666 SB-A 0.5SI Outside corner Brute
- 2091667 SB-A 0.5SI Outside corner Stainless look
- 2091668 SB-A 0.5SI Inside corner Brute
- 2091669 SB-A 0.5SI Inside corner Stainless look



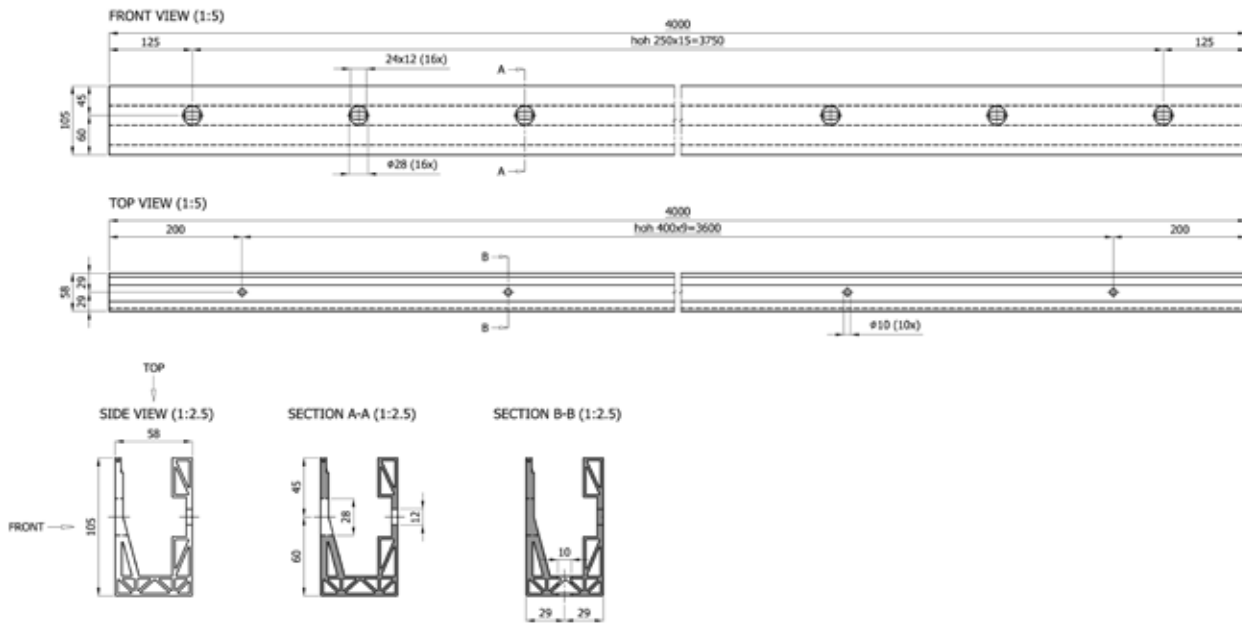
ANCHOR SB-A 0.5SI

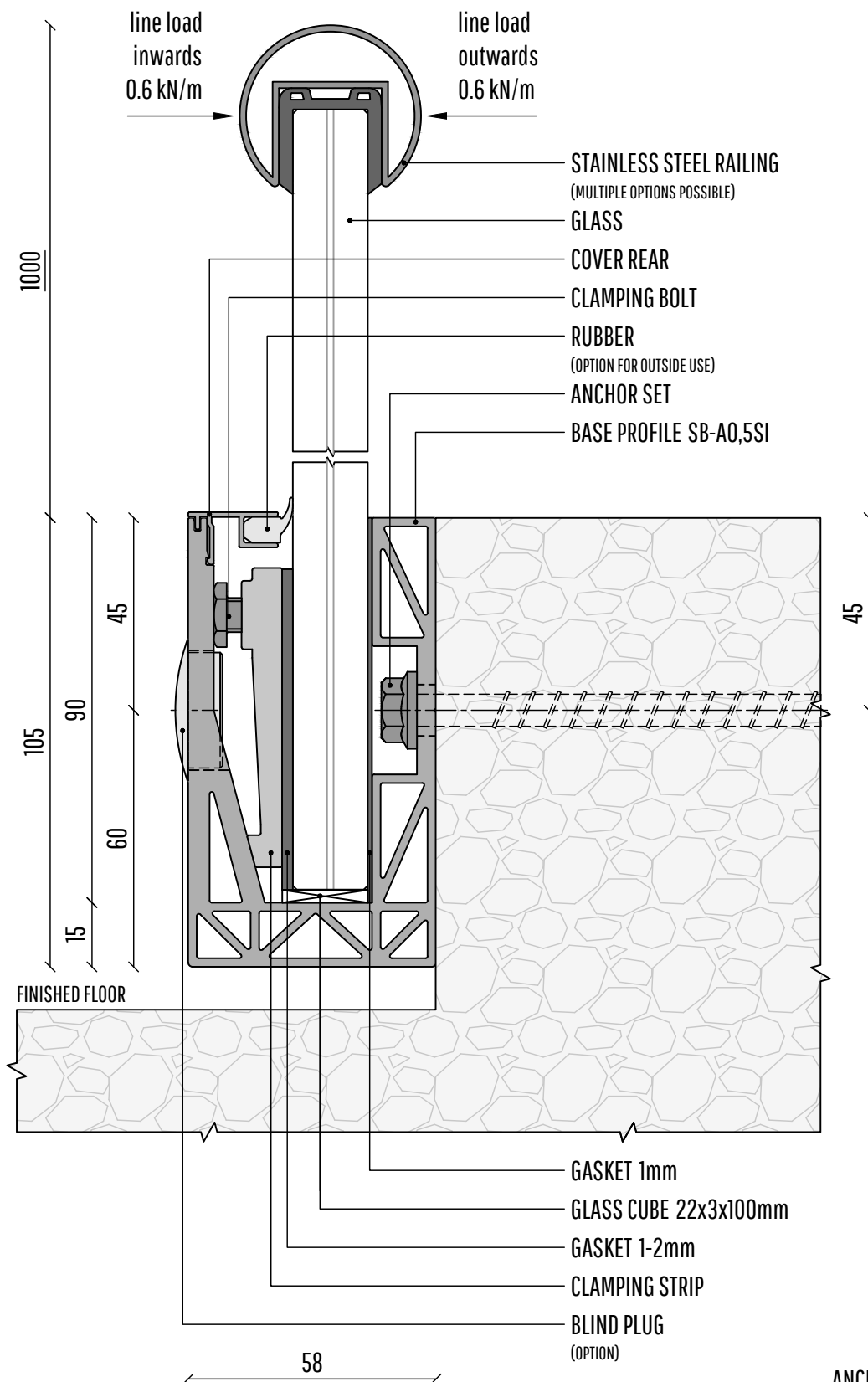
- 2089145 FISCHER FBS II 10 x 120/35 US Concrete screw indoor
- 2089143 FISCHER FBS II 10 x 120/35 US Concrete screw A4 outdoor



Check the instruction video

UNIQ SB-A 0.5SI | INFO





ANCHOR SET STANDARD

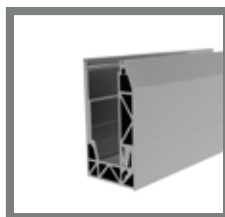
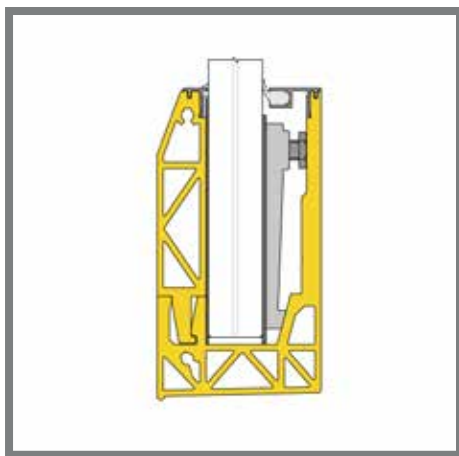
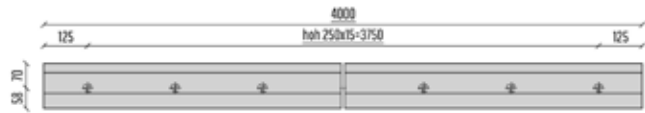
INDOOR: FBS II 10X120 65/55/35 US

OUTDOOR: FBS II 10X120 65/55/35 US R

ALTERNATIVE: M10 BOLT AT A STEELCONSTRUCTION

UNIQU SB-A1S | SIDE MOUNTED

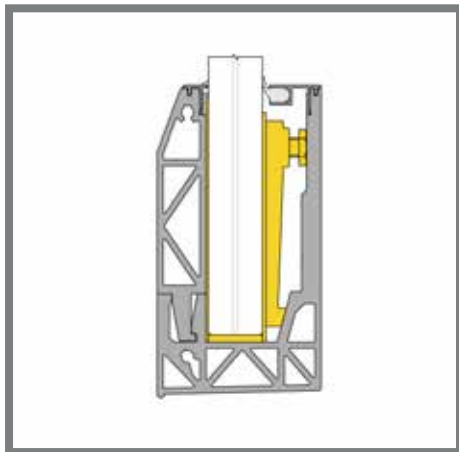
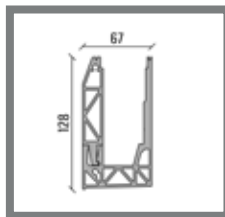
1 kN/m



BASE PROFILE

Code	Description	L
2089057	SB-A1S Brute	4000 mm
2089059	SB-A1S Stainless look	4000 mm
2091181	SB-A1S(C) Stainless look	4000 mm
2089058	SB-A1S(C) Satin black	4000 mm

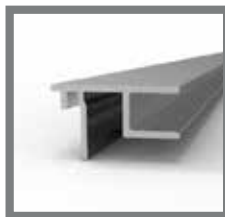
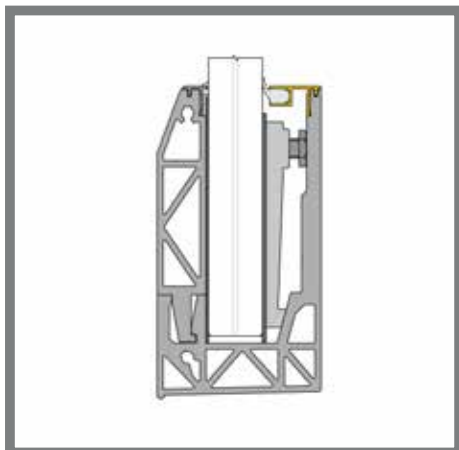
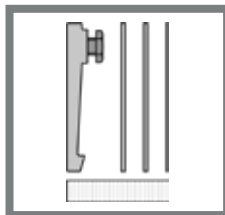
Easy mounting because of the separate leg on the outside of the profile



GLASS MOUNTING SET (GMS)

Code	Description	L
2028606	GMS-L4 - 10/10/pvb	4000 mm
2028850	GMS-XL4 - 8/8/pvb	4000 mm
2029977	GMS-XXL4 - 15	4000 mm

Content:
Clamping strip + glass blocks + required packing

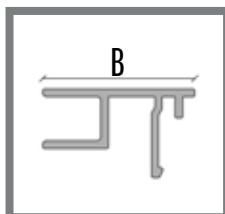


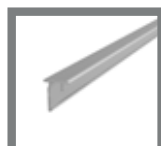
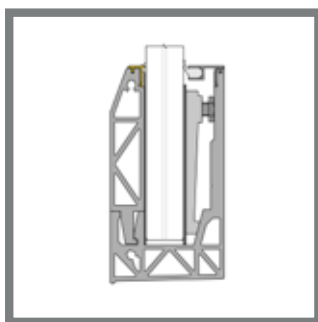
REAR COVER

Code	Description	B	L
2089104	CR-L1 - 10/10/pvb - Brute	21	4000 mm
2089358	CR-L1 - 10/10/pvb - Stainless look	21	4000 mm
2089105	CR-L1 - 10/10/pvb - Satin black	21	4000 mm
2089106	CR-XL1 - 8/8/pvb - Brute	25	4000 mm
2089359	CR-XL1 - 8/8/pvb - Stainless look	25	4000 mm
2089107	CR-XL1 - 8/8/pvb - Satin black	25	4000 mm
2089108	CR-XXL1 - 15 - Brute	28	4000 mm
2089360	CR-XXL1 - 15 - Stainless look	28	4000 mm

OPTIONAL FOR REAR COVER

Code	Description	L
1012309	Rubber for the cover rear	1000 mm





FRONT COVER

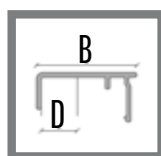
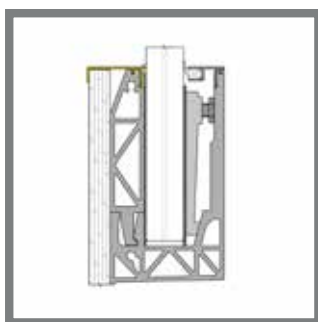
- 2089088 CF-100 Brute
- 2089350 CF-100 Stainless look

L
4000 mm
4000 mm

OPTIONAL FOR FRONT COVER

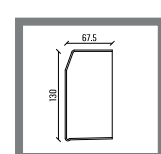
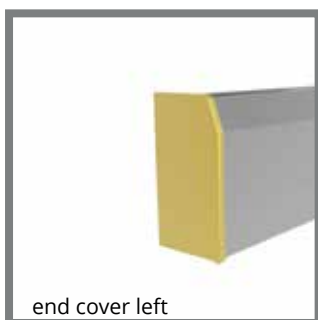
- 1012311 Rubber for the cover front

L
1000 mm



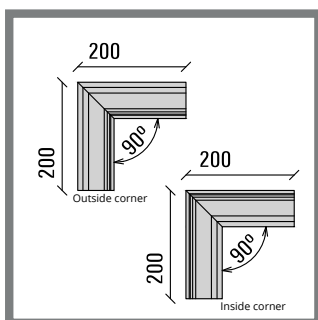
PLATING COVERS

		D	B	L
2089090	CF-103 Brute	3	25	4000 mm
2089351	CF-103 Stainless look	3	25	4000 mm
2089092	CF-112 Brute	12	34	4000 mm
2089352	CF-112 Stainless look	12	34	4000 mm
2089094	CF-120 Brute	20	42	4000 mm
2089353	CF-120 Stainless look	20	42	4000 mm



END COVERS

- 2033425 SB-A1S end cover left, Brute
 - 2033427 SB-A1S end cover left, Stainless look
 - 2091397 SB-A1S(C) eindkap links, Satin black
 - 2033426 SB-A1S end cover right, Brute
 - 2033428 SB-A1S end cover right, Stainless look
 - 2091398 SB-A1S(C) eindkap rechts, Satin black
- Small color differences between end caps and profiles are possible.



CORNER PIECES

- 2090617 SB-A1S Outside corner Brute
- 2090496 SB-A1S Outside corner Stainless look
- 2091343 SB-A1S(C) Outside corner Stainless look
- 2091445 SB-A1S(C) Outside corner Satin black
- 2090618 SB-A1S Inside corner Brute
- 2090497 SB-A1S Inside corner Stainless look
- 2091341 SB-A1S(C) Inside corner Stainless look
- 2091444 SB-A1S(C) Inside corner Satin black

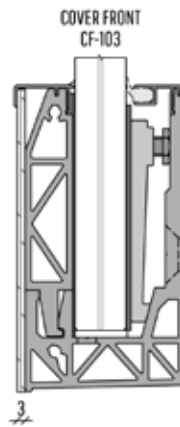
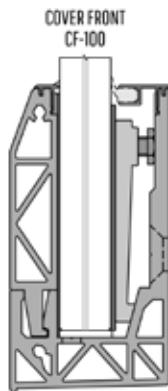
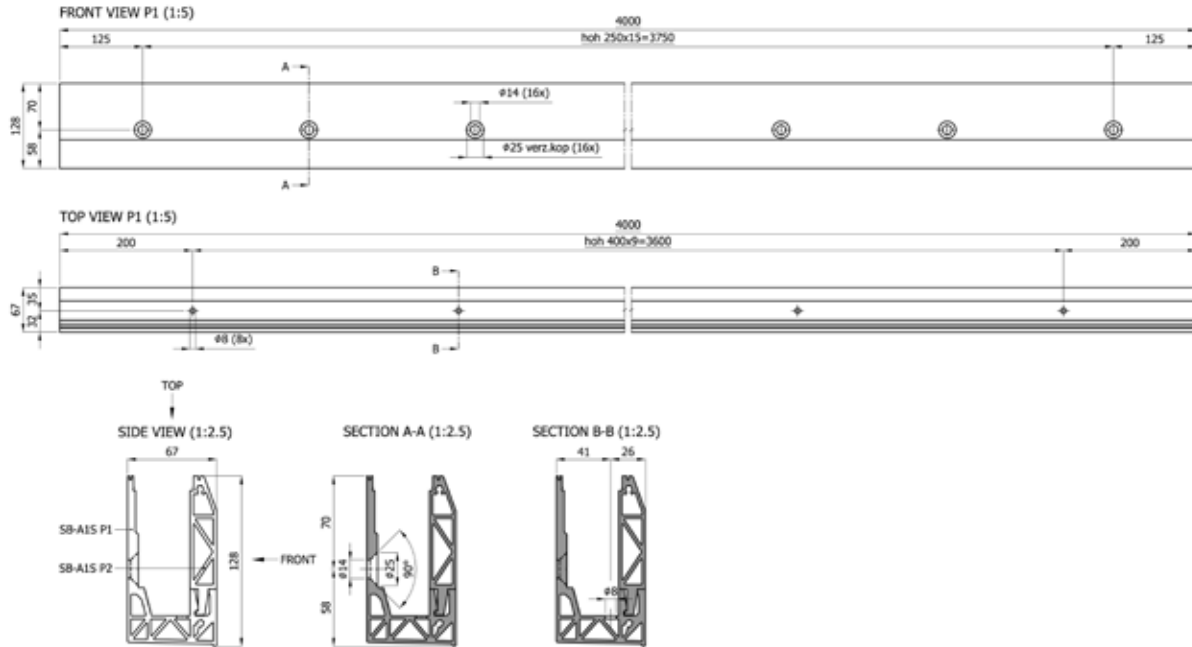
ANCHOR SB-A1S

- 2089821 FISCHER FBS II 10x120/35 SK Concrete screw indoor
- 2074809 FISCHER FBS II 10x120/35 SK Concrete screw A4 outdoor

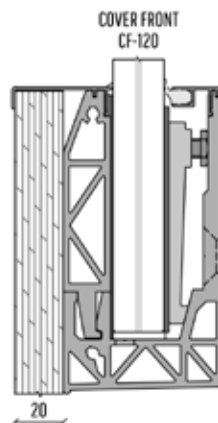
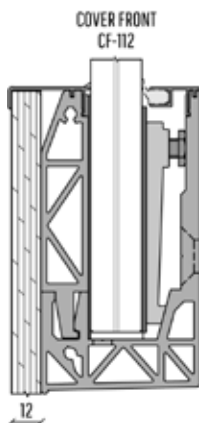


Check the instruction video

UNIQ SB-A1S | INFO

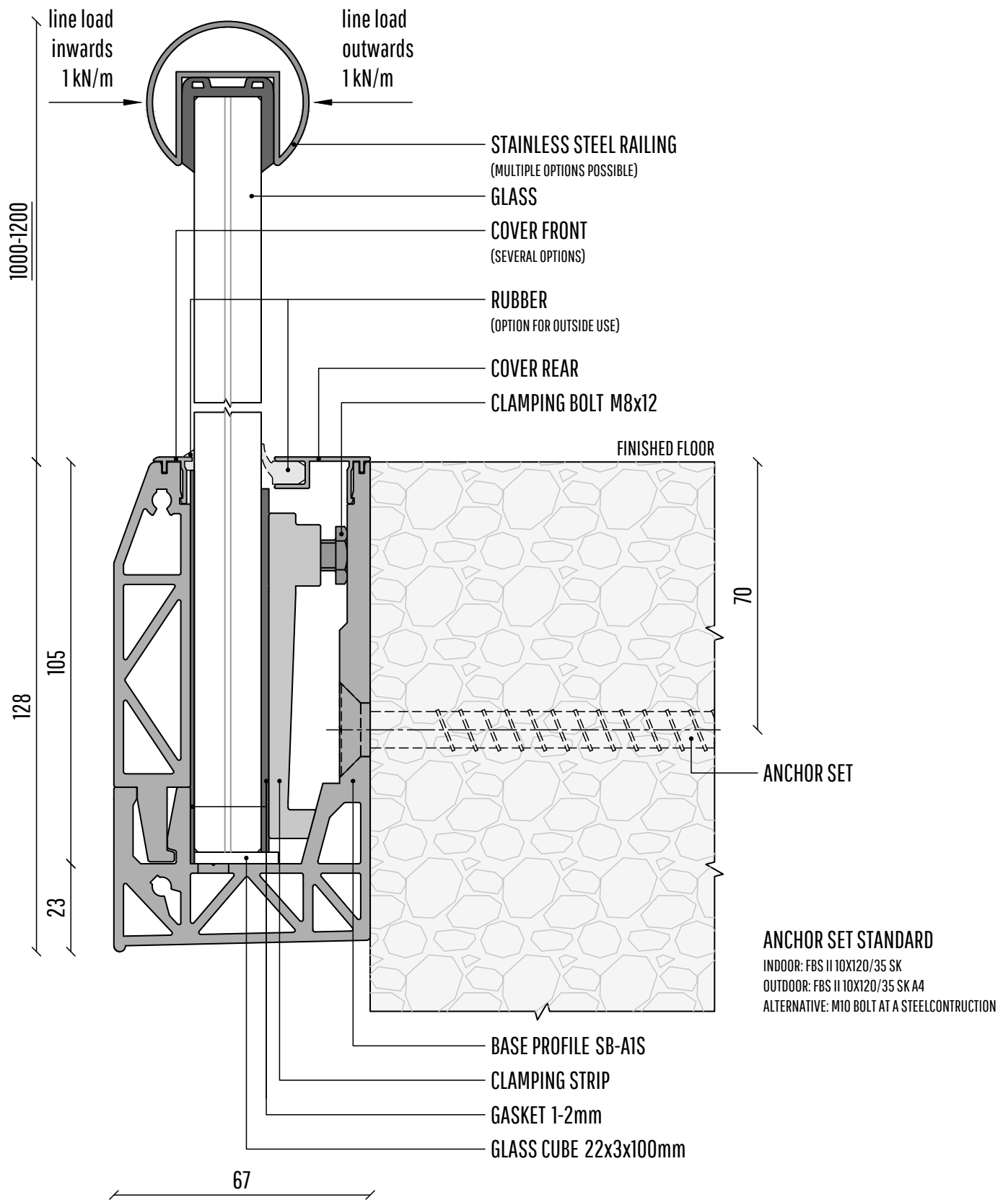


SB-A1S leg



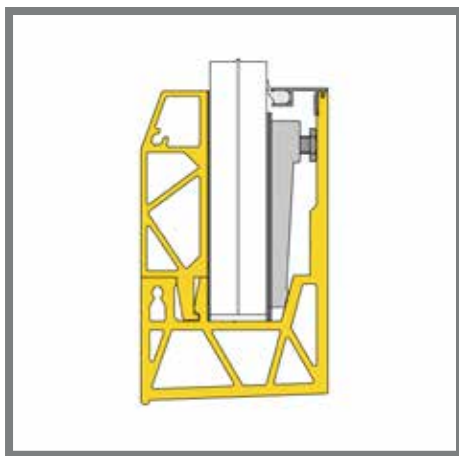
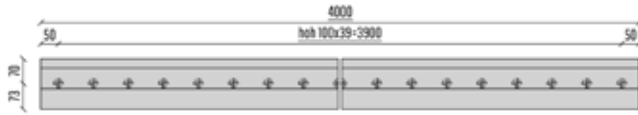
SB-A1S (C) leg





UNIQ SB-A2S | SIDE MOUNTED

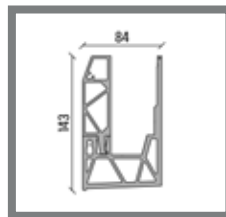
2 kN/M



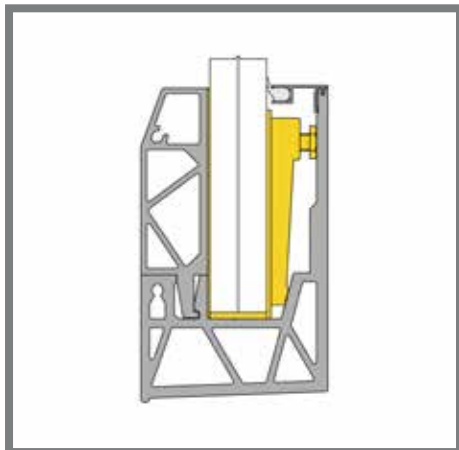
BASE PROFILE

- 2090414 SB-A2S Brute
- 2090415 SB-A2S Stainless look

L
4000 mm
4000 mm



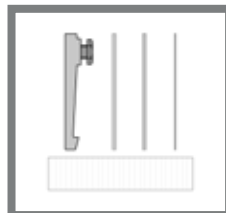
Easy mounting because of the separate leg on the outside of the profile



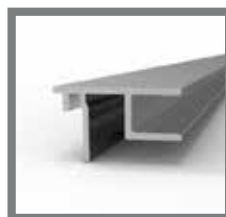
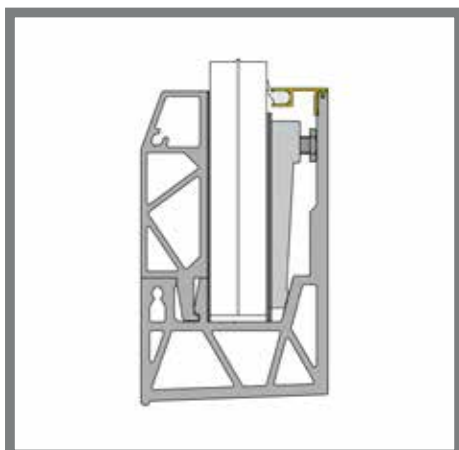
GLASS MOUNTING SET (GMS)

- 2090377 GMS-L5 - 12/12/pvb
- 2090378 GMS-XL5- 10/10/pvb
- 2090378 GMS-XL5 - 19

L
4000 mm
4000 mm
4000 mm



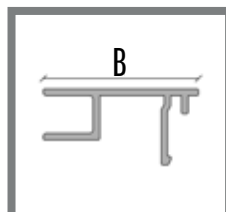
Content:
Clamping strip + glass blocks + required packing



REAR COVER

- 2089106 CR-XL1 - 12/12/pvb - Brute
- 2089359 CR-XL1 - 12/12/pvb - Stainless look
- 2089108 CR-XXL1 - 10/10/pvb - Brute
- 2089360 CR-XXL1 - 10/10/pvb - Stainless look
- 2089620 CR-XXL3 - 19 - Brute
- 2089622 CR-XXL3 - 19 - Stainless look

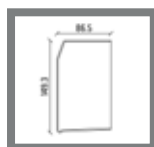
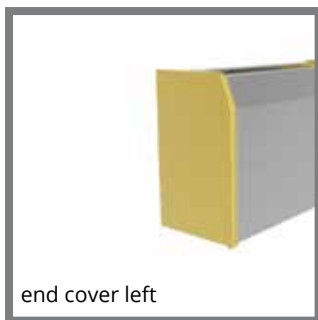
B	L
25	4000 mm
25	4000 mm
28	4000 mm
28	4000 mm
31	4000 mm
31	4000 mm



OPTIONAL FOR REAR COVER

- 1012309 Rubber for the cover rear

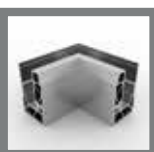
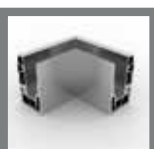
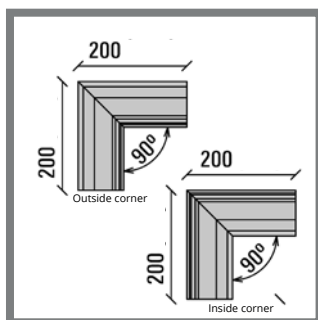
L
1000 mm



END COVERS

- 2090547 SB-A2S end cover left, Brute
- 2090412 SB-A2S end cover left, Stainless look
- 2090548 SB-A2S end cover right, Brute
- 2090413 SB-A2S end cover right, Stainless look

Small color differences between end caps and profiles are possible.



CORNER PIECES

- 2090620 SB-A2S Outside corner Brute
- 2090619 SB-A2S Outside corner Stainless look

- 2090597 SB-A2S Inside corner Brute
- 2090598 SB-A2S Inside corner Stainless look



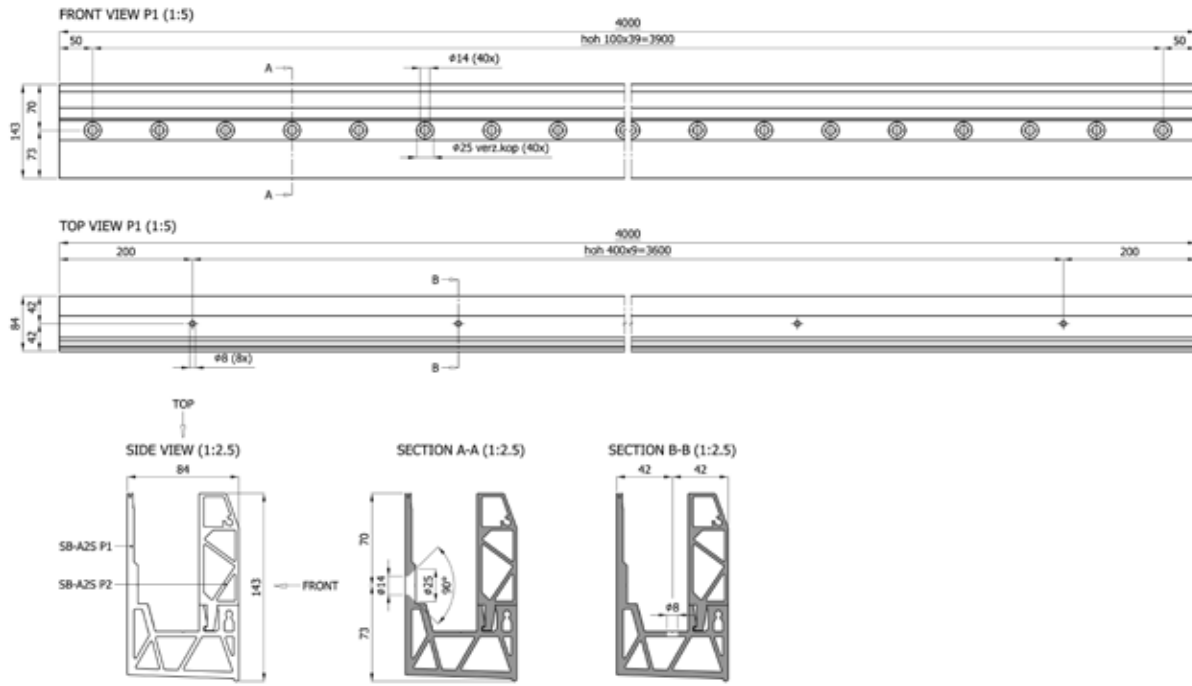
ANCHOR SB-A2S

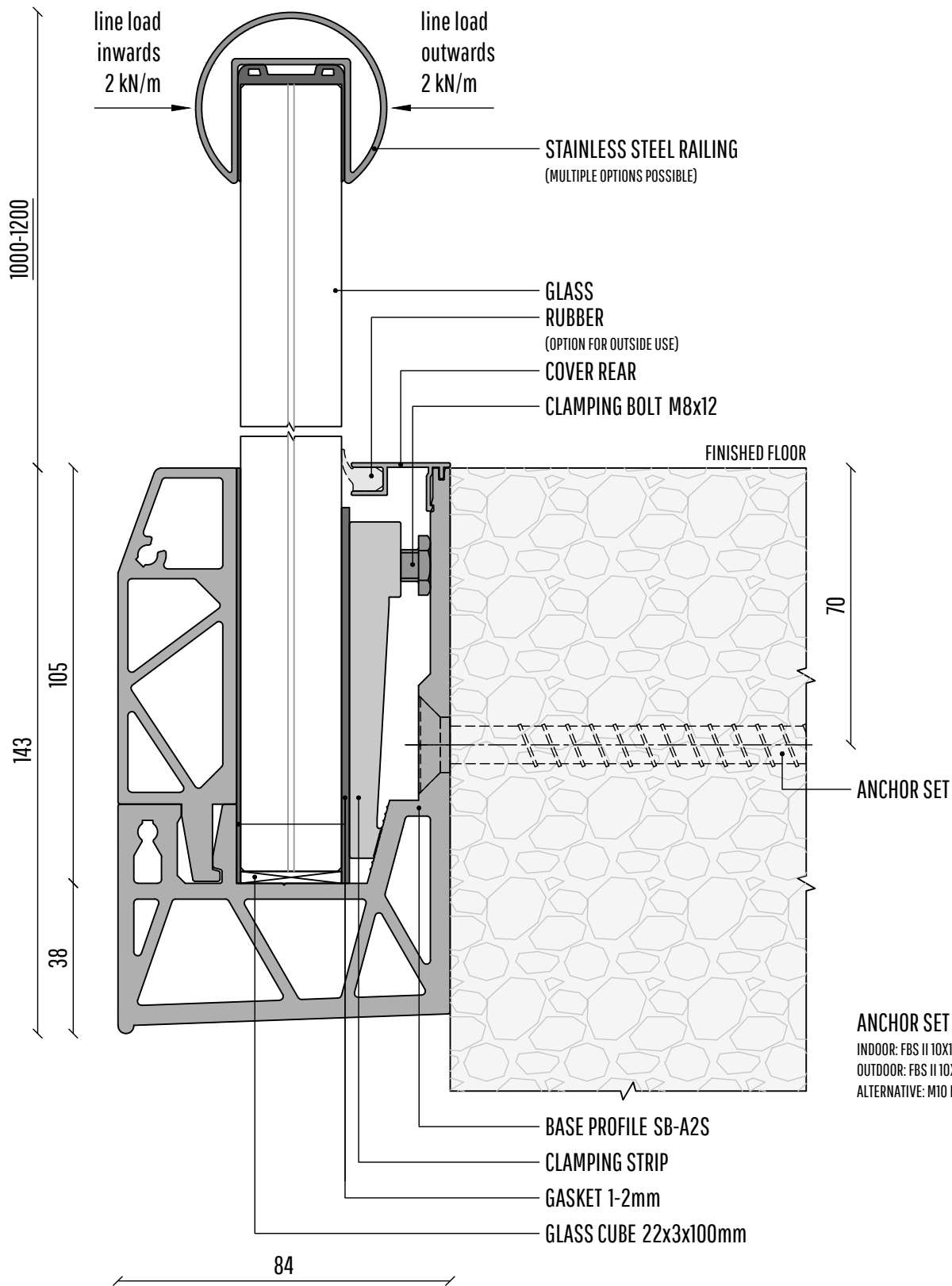
- 2089821 FISCHER FBS II 10x120/35 SK Concrete screw indoor
- 2074809 FISCHER FBS II 10x120/35 SK Concrete screw A4 outdoor



Check the instruction video

UNIQ SB-A2S | INFO



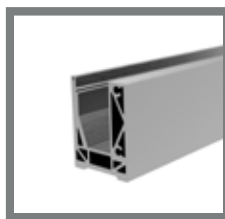
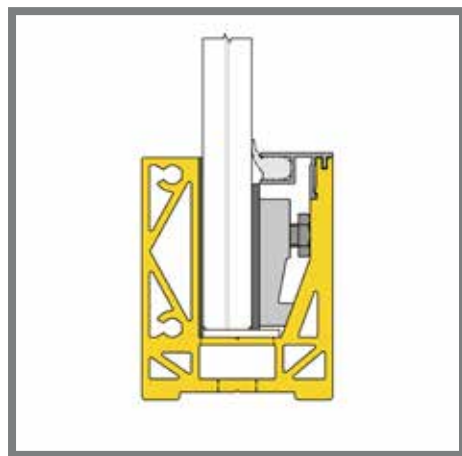
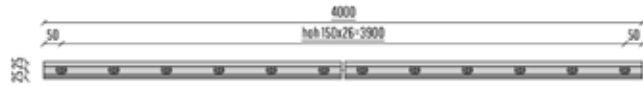


ANCHOR SET STANDARD

INDOOR: FBS II 10x120/35 SK
 OUTDOOR: FBS II 10x120/35 SK A4
 ALTERNATIVE: M10 BOLT AT A STEELCONSTRUCTION

UNIQ SB-OXS | TOP MONTAGE

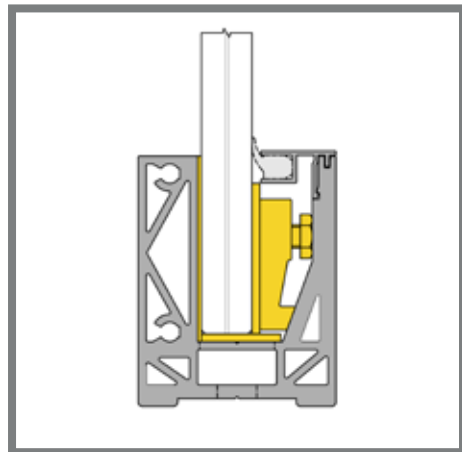
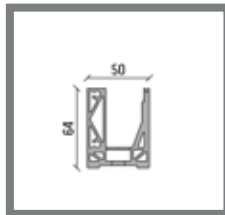
SB-OXS is not suitable for structural or safety purposes.



BASE PROFILE

- 2090574 SB-OXS Brute
- 2089695 SB-OXS Stainless look

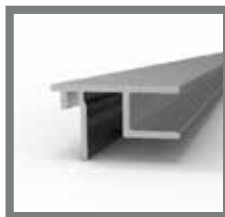
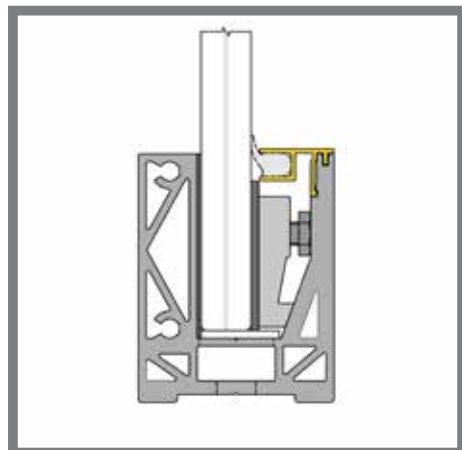
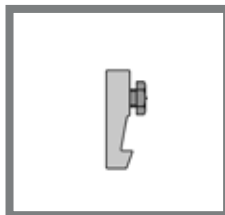
L
4000 mm
4000 mm



GLASS MOUNTING SET (GMS)

- 2090155 GMS-S1 - 4/4/pvb
- 2090156 GMS-XS1 - 6/6/pvb
- 2090155 GMS-S1 - 8
- 2090156 GMS-XS1 - 12

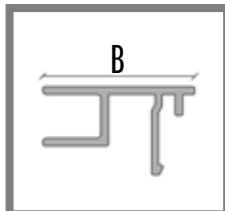
L
4000 mm
4000 mm
4000 mm
4000 mm



REAR COVER

- 2089104 CR-L1 - 4/4/pvb - Brute
- 2089358 CR-L1 - 4/4/pvb - Stainless look
- 2090575 CR-XS1 - 6/6/pvb - Brute
- 2089698 CR-XS1 - 6/6/pvb - Stainless look
- 2089104 CR-L1 - 8 - Brute
- 2089358 CR-L1 - 8 - Stainless look
- 2090575 CR-XS1 - 12 - Brute
- 2089698 CR-XS1 - 12 - Stainless look

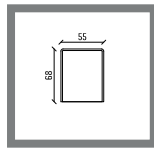
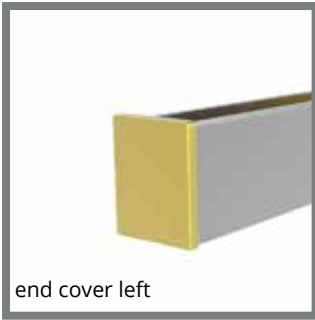
B **L**
21 4000 mm
21 4000 mm
19 4000 mm
19 4000 mm
21 4000 mm
21 4000 mm
19 4000 mm
19 4000 mm



OPTIONAL FOR REAR COVER

- 1012309 Rubber for the cover rear

L
1000 mm



END COVERS

- 2090568 SB-OXS end cover left, Brute
- 2090558 SB-OXS end cover left, Stainless look
- 2090573 SB-OXS end cover right, Brute
- 2090563 SB-OXS end cover right, Stainless look

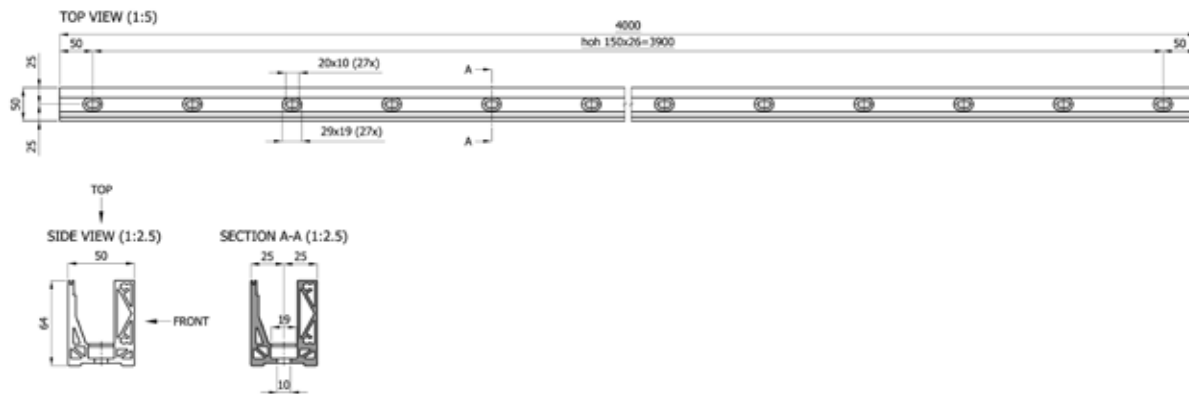
Small color differences between end caps and profiles are possible.



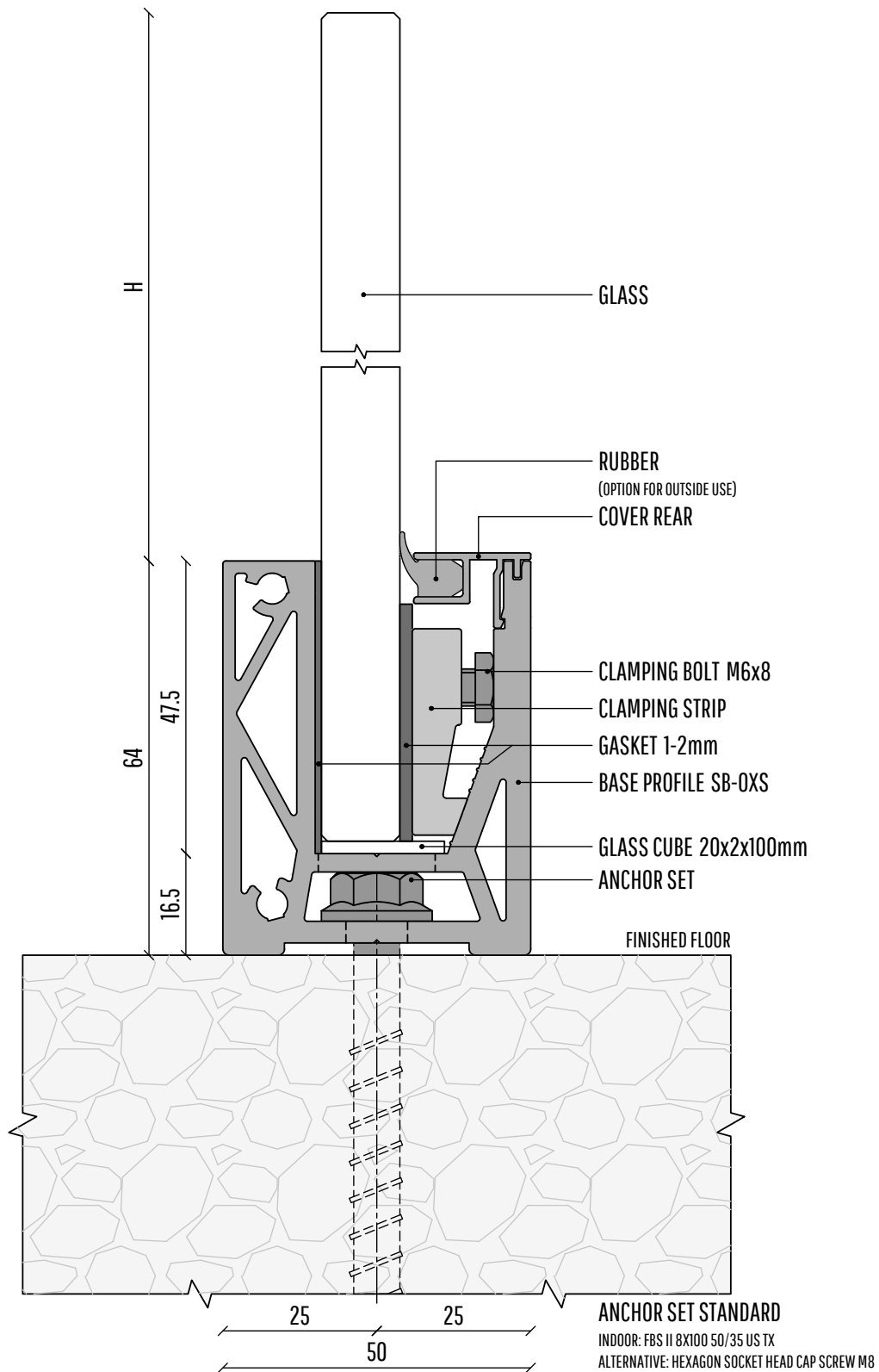
Check the instruction video



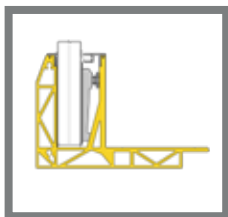
UNIQU SB-OXS | INFO



Glass	Hight (H)	Execution	Windload
4.4.2	600	tempered	1.5kN/m ²
	900	tempered	0.6kN/m ²
6.6.2	600	tempered	3.0kN/m ²
	900	tempered	1.4kN/m ²
8	600	tempered	2.0kN/m ²
	900	tempered	0.6kN/m ²
	600	float	0.75kN/m ²
12	600	tempered	3.0kN/m ²
	900	tempered	1.4kN/m ²
	600	float	1.7kN/m ²
	900	float	0.75kN/m ²

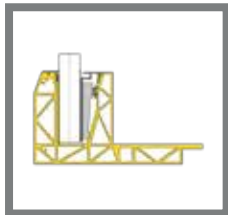


FISCHER ANCHORS



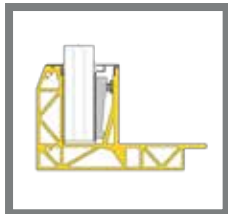
ANCHOR SB-01

		MVE	HOH	MRA
2008327	FIS injection mortar SB 390 S	6		
2089149	FIS RSB 10 MINI capsule (alternative)	10		
2089819	FIS RGM 10x170 Threaded rod indoor	10	300	70
2089820	FIS RGM 10x170 Threaded rod A4 outdoor	10	300	70



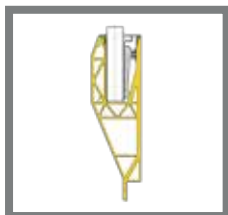
ANCHOR SB-02

		MVE	HOH	MRA
2008327	FIS injection mortar SB 390 S	6		
2089149	FIS RSB 10 MINI capsule (alternative)	10		
2089819	FIS RGM 10x170 Threaded rod indoor	10	300	100
2089820	FIS RGM 10x170 Threaded rod A4 outdoor	10	300	100



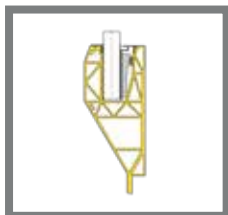
ANCHOR SB-03

		MVE	HOH	MRA
2008327	FIS injection mortar SB 390 S	6		
2089149	FIS RSB 10 MINI capsule (alternative)	10		
2089141	FIS RGM 10x200 Threaded rod indoor	10	300	100
2089144	FIS RGM 10x200 Threaded rod A4 outdoor	10	300	100



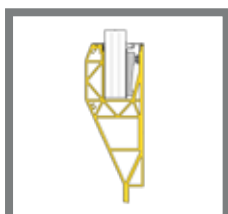
ANCHOR SB-A1

		MVE	HOH	MRA
2008327	FIS injection mortar SB 390 S	6		
2089149	FIS RSB 10 MINI capsule (alternative)	10		
2089142	FIS A M 10x150 Threaded rod indoor	10	300	70
2089814	FIS A M 10x150 Threaded rod A4 outdoor	10	300	70



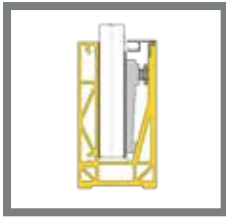
ANCHOR SB-A2

		MVE	HOH	MRA
2008327	FIS injection mortar SB 390 S6	6		
2089149	FIS RSB 10 MINI capsule (alternative)	10		
2089140	FIS A M 12x210 Threaded rod indoor	10	300	70
2089813	FIS A M 12x210 Threaded rod A4 outdoor	10	300	70



ANCHOR SB-A3

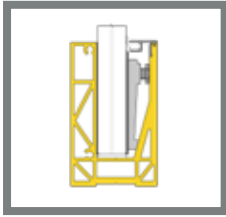
		MVE	HOH	MRA
2008327	FIS injection mortar SB 390 S	6		
2089149	FIS RSB 10 MINI capsule (alternative)	10		
2089140	FIS A M 12x210 Threaded rod indoor	10	300	70
2089813	FIS A M 12x210 Threaded rod A4 outdoor	10	300	70



ANCHOR SB-O 0.5S

MVE HOH MRA

2089145	FIS FBS II 10x120/35 US Concrete screw indoor	50	250	70
2089143	FIS FBS II 10x120/35 US Concrete screw A4 outd.50	50	250	70



ANCHOR SB-01S

MVE HOH MRA

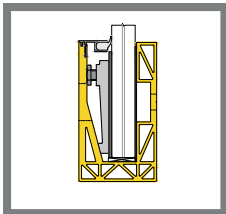
2089146	FIS FBS II 12x130/30 US Concrete screw indoor	20	250	80
2090469	FIS FBS II 12x130/30 US Concrete screw A4 outd.20	20	250	80



ANCHOR SB-02S

MVE HOH MRA

2090470	FIS FBS II 12x110 50/35/10 US Concr. screw ind	20	150	90
2090471	FIS FBS II 12x110 10/- US Concr. screw A4 outd	20	150	90



ANCHOR SB-A 0.5SI

MVE HOH MRA

2089145	FIS FBS II 10 x 120/35 US Concr. screw indoor	50	250	70
2089143	FIS FBS II 10 x 120/35 US Concr. screw A4 outd	50	250	70



ANCHOR SB-A1S

MVE HOH MRA

2089821	FIS FBS II 10x120/35 SK Concrete screw indoor	50	250	70
2074809	FIS FBS II 10x120/35 SK Concrete screw A4 outd.50	50	250	70



ANCHOR SB-A2S

MVE HOH MRA

2089821	FIS FBS II 10x120/35 SK Concrete screw indoor	50	100	70
2074809	FIS FBS II 10x120/35 SK Concrete screw A4 outd.50	50	100	70

MVE = Minimum sales quantity
 HOH = Center to center distance in millimeters
 MRA = Normative edge distance in millimeters

MOUNTING TOOLS



TAPPING TOOL

2089137 Tapping tool



MOUNTING WRENCH

2089138 Mounting wrench



CONNECT PIN

2089139 Connect pin



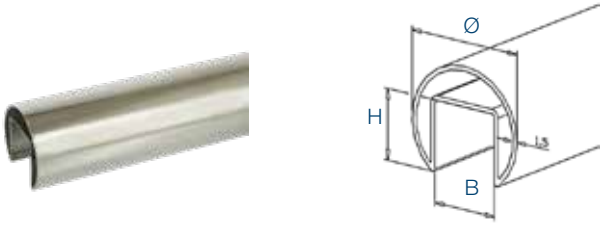
ALSO AVAILABLE



WWW.SB-RAILING.COM

SLOTTED TUBE SYSTEM

Slotted Tube

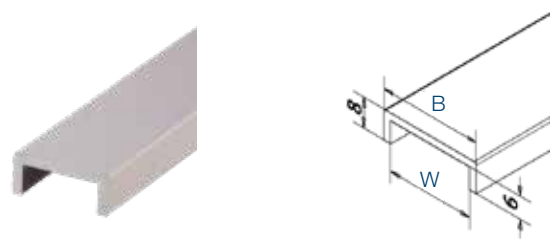


304 Indoor satin	H	B	Ø	L
2004975	6 24	24	42,4	6000
2004980	6 30	27	48,3	6000
2004989	6 34	34	60,3	6000

316 Outdoor satin	H	B	Ø	L
2004976	6 24	24	42,4	6000
2004981	6 30	27	48,3	6000
2004990	6 34	34	60,3	6000

316 Outdoor mirror	H	B	Ø	L
2043237	6 24	24	42,4	6000
2043238	6 30	27	48,3	6000

Aluminium U Profile

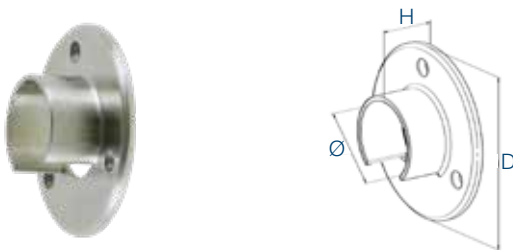


Aluminium RVS Look	Glass	B	W	L
1021315	4 10/10/pvb	28	24	4000
1021317	4 8/8/pvb	19	15	4000
1021397	4 6/6/pvb	24	20	4000

Aluminium satin black	Glass	B	W	L
1021828	4 10/10/pvb	28	24	4000
1021829	4 8/8/pvb	24	20	4000
1021830	4 6/6/pvb	19	15	4000

Wall flange

L S

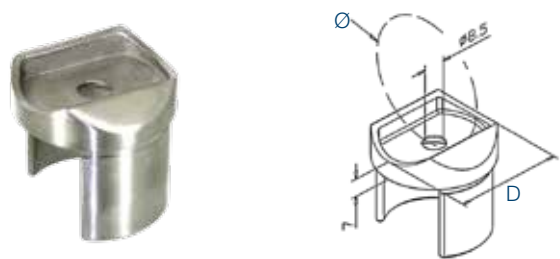


304 Indoor satin	D	Ø	H
1183.426.304	1 95	42,4	30
1183.486.304	1 100	48,3	35
1183.603.304	1 107	60,3	35

316 Outdoor satin	D	Ø	H
1183.426.316	1 95	42,4	30
1183.486.316	1 100	48,3	35
1183.603.316	1 107	60,3	35

Adaptor

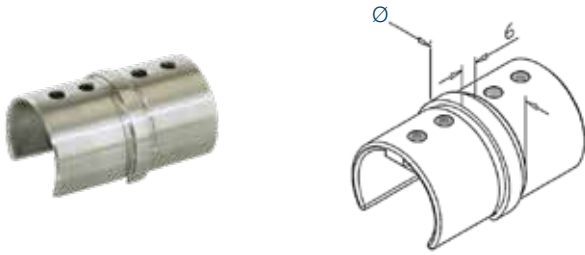
L S



304 Indoor satin	D	Ø
1502.424.304	2 42,4x1,5	42,4
1502.483.304	2 42,4x1,5	48,3
1503.483.304	2 48,3x1,5	48,3

316 Outdoor satin	D	Ø
1502.424.316	2 42,4x1,5	42,4
1502.483.316	2 42,4x1,5	48,3
1503.483.316	2 48,3x1,5	48,3

Tube connector



304 Indoor satin		Ø
1201.425.304	2	42,4x1,5
1201.485.304	2	48,3x1,5
1201.605.304	2	60,3x1,5

316 Outdoor satin		Ø
1201.425.316	2	42,4x1,5
1201.485.316	2	48,3x1,5
1201.605.316	2	60,3x1,5

316 Outdoor mirror		Ø
1201.425.316#	2	42,4x1,5
1201.485.316#	2	48,3x1,5

Tube connector horizontal 90°



304 Indoor satin		Ø	H
1202.425.304	2	42,4x1,5	30
1202.485.304	2	48,3x1,5	35
1202.605.304	2	60,3x1,5	40

316 Outdoor satin		Ø	H
1202.425.316	2	42,4x1,5	30
1202.485.316	2	48,3x1,5	35
1202.605.316	2	60,3x1,5	40

316 Outdoor mirror		Ø	H
1202.425.316#	2	42,4x1,5	30
1202.485.316#	2	48,3x1,5	35

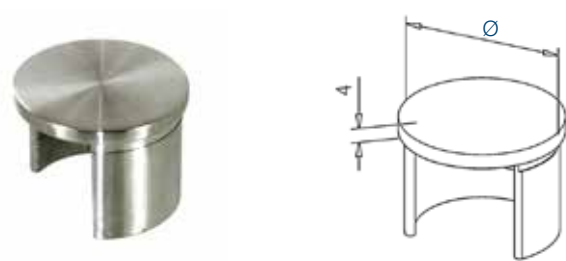
Tube connector vertical 90°



304 Indoor satin		Ø	H
1203.425.304	2	42,4x1,5	30
1203.485.304	2	48,3x1,5	35

316 Outdoor satin		Ø	H
1203.425.316	2	42,4x1,5	30
1203.485.316	2	48,3x1,5	35

End Cap



304 Indoor satin		Ø
1112.426.304	2	42,4x1,5
1112.486.304	2	48,3x1,5
1112.600.304	2	60,3x1,5

316 Outdoor satin		Ø
1112.426.316	2	42,4x1,5
1112.486.316	2	48,3x1,5
1112.600.316	2	60,3x1,5

316 Outdoor mirror		Ø
1112.426.316#	2	42,4x1,5
1112.486.316#	2	48,3x1,5

Tube connector adjustable **L**



Tube connector adjustable **L**



304 Indoor satin



D

1224.426.304	2	42,4x1,5
1224.485.304	2	48,3x1,5
1224.603.304	2	60,3x1,5

304 Indoor satin



D

1225.426.304	2	42,4x1,5
1225.485.304	2	48,3x1,5
1225.603.304	2	60,3x1,5

316 Outdoor satin



D

1224.426.316	2	42,4x1,5
1224.485.316	2	48,3x1,5
1224.603.316	2	60,3x1,5

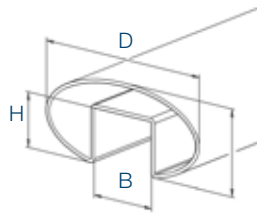
316 Outdoor satin



D

1225.426.316	2	42,4x1,5
1225.485.316	2	48,3x1,5
1225.603.316	2	60,3x1,5

Oval slotted tube



304 Indoor satin



H

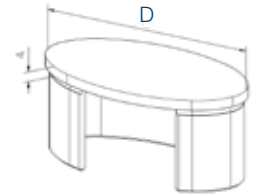
B

D

L

2070442	6	26	33	80x40x1,5	6000
2073101	6	26	33	110x40x1,5	6000

End Cap oval **L**



304 Indoor satin



D

1112.804.304	2	80x40x1,5
1112.110.304	2	110x40x1,5

316 Outdoor satin



H

B

D

L

2073100	6	26	33	80x40x1,5	6000
2073102	6	26	33	110x40x1,5	6000

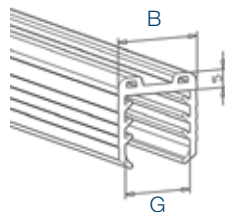
316 Outdoor satin



D

1112.804.316	2	80x40x1,5
1112.110.316	2	110x40x1,5

Glass profile tube rubbers



Rubber

L

Ø

B

G

6770.424.0800	6250	42,4	24	8 - 11
6770.424.1150	6250	42,4	24	11,5 - 13,5
6770.424.1600	6250	42,4	24	16 - 17,5
6770.424.2000	6250	42,4	24	20 - 21,5

Rubber

L

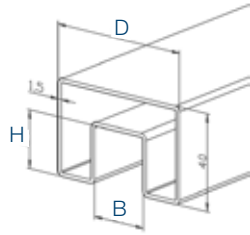
Ø

B

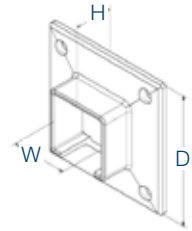
G

6770.483.0800	6250	48,3	27	8 - 11
6770.483.1150	6250	48,3	27	11,5 - 13,5
6770.483.1600	6250	48,3	27	16 - 17,5
6770.483.2000	6250	48,3	27	20 - 21,5
6770.603.0800	6250	60,3	34	8 - 11
6770.603.1150	6250	60,3	34	11,5 - 13,5
6770.603.1600	6250	60,3	34	16 - 17,5
6770.603.2000	6250	60,3	34	20 - 21,5
6770.603.2552	6250	60,3	34	25,52
6770.804.0800	6250	80/110x40	27	8 - 11
6770.804.1150	6250	80/110x40	27	11,5 - 13,5
6770.804.1600	6250	80/110x40	27	16 - 17
6770.804.2000	6250	80/110x40	27	20 - 21,5

Square slotted tube



Wall flange square **L S**



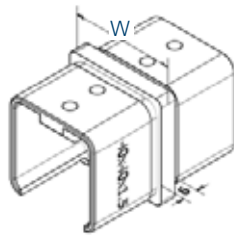
304 Indoor satin		H	B	D	L
2081484	6	24	24	40x40x1,5	6000
2073103	6	24	24	60x40x1,5	6000

304 Indoor satin		D	H	W
4183.404.304	2	95x95	28 mm	40x40x1,5
4183.640.304	2	100x80	28 mm	60x40x1,5

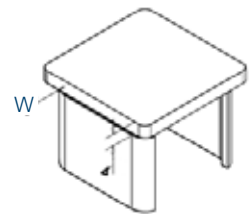
316 Outdoor satin		H	B	D	L
2081485	6	24	24	40x40x1,5	6000
2073104	6	24	24	60x40x1,5	6000

316 Outdoor satin		D	H	W
4183.404.316	2	95x95	28 mm	40x40x1,5
4183.640.316	2	100x80	28 mm	60x40x1,5

Tube connector square **L**



End Cap square **L**



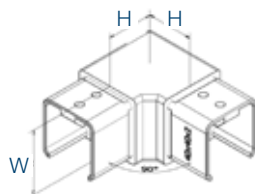
304 Indoor satin		W
4201.404.304	2	40x40x1,5
4201.640.304	2	60x40x1,5

304 Indoor satin		W
4112.404.304	2	40x40x1,5
4112.640.304	2	60x40x1,5

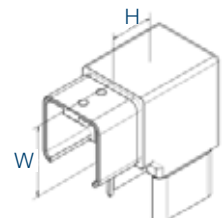
316 Outdoor satin		W
4201.404.316	2	40x40x1,5
4201.640.316	2	60x40x1,5

316 Outdoor satin		W
4112.404.316	2	40x40x1,5
4112.640.316	2	60x40x1,5

Tube connector 90° horizontal **L**



Tube connector 90° vertical **L**



304 Indoor satin		W	H
4202.404.304	2	40x40x1,5	50
4202.640.304	2	60x40x1,5	70

304 Indoor satin		W	H
4203.404.304	2	40x40x1,5	30
4203.640.304	2	60x40x1,5	30

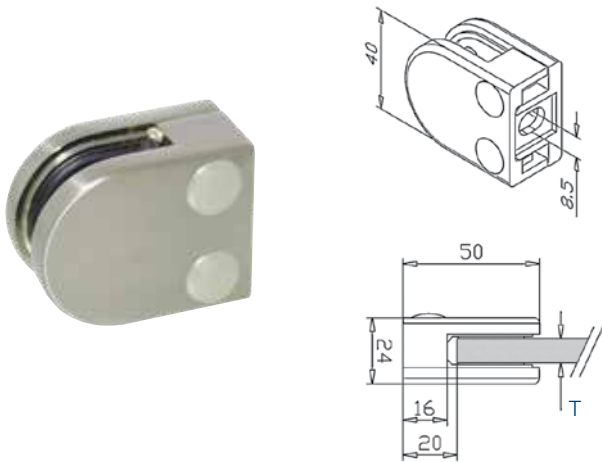
316 Outdoor satin		W	H
4202.404.316	2	40x40x1,5	50
4202.640.316	2	60x40x1,5	70

316 Outdoor satin		W	H
4203.404.316	2	40x40x1,5	30
4203.640.316	2	60x40x1,5	30

GLASS CLIPS

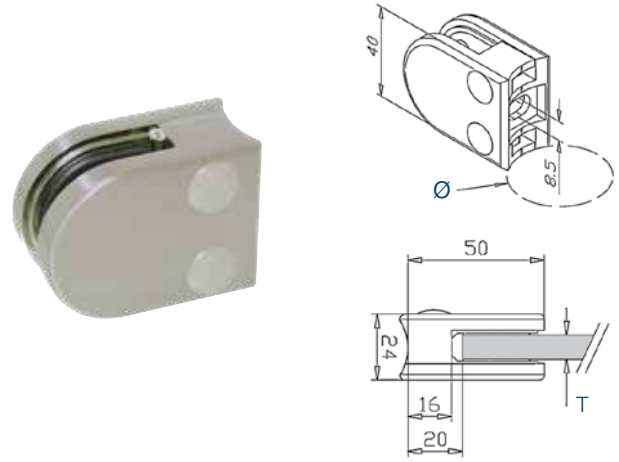
Glass clip model 00 - Flat

S



Glass clip model 00 - Tube

S



304 Indoor
satin



00.A2.000.01 4

316 Outdoor
satin



00.A4.000.01 4

Zamak
Stainless look



00.ZN.000.01 4

316 Outdoor
satin black



00.A4.000.05 4

304 Indoor
satin



00.A2.033.01 4 Ø 33,7

00.A2.042.01 4 42,4

316 Outdoor
satin



00.A4.033.01 4 Ø 33,7

00.A4.042.01 4 42,4

Zamak
Stainless look



00.ZN.042.01 4 Ø 42,4

316 Outdoor
satin black



00.A4.042.05 4 Ø 42,4

Glass clip model 00 - Flat

S



Zamak
Brute



00.ZN.000.00 4

Glass clip model 00 - Tube

S



Zamak
Brute



00.ZN.042.00 4 Ø 42,4

Rubbers model 00



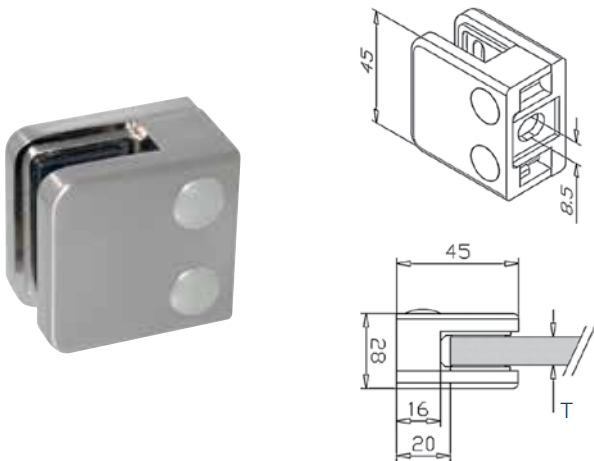
Rubbers
Model 00



Rubbers Model 00		Glass
6760.00.0600	8	6 mm
6760.00.0676	8	6,76 mm (3-0,76-3)
6760.00.0800	8	8 mm

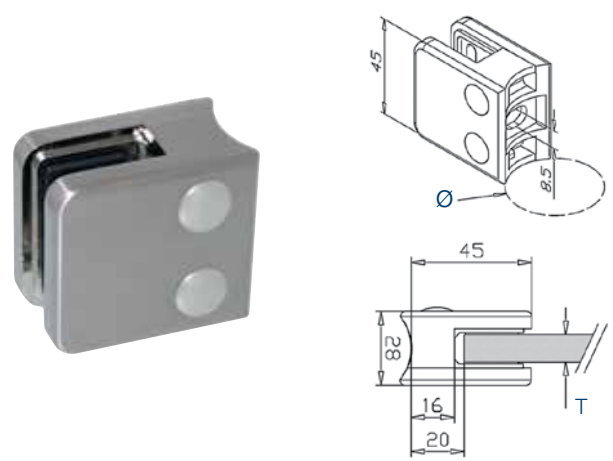
Glass clip model 01 - Flat

S



Glass clip model 01 - Tube

S



304 Indoor satin



01.A2.000.01 4

304 Indoor satin



01.A2.042.01 4 Ø 42,4

316 Outdoor satin



01.A4.000.01 4

316 Outdoor satin



01.A4.042.01 4 Ø 42,4

Zamak Stainless look



01.ZN.000.01 4

316 Outdoor Mirror



01.A4.042.01# 4 Ø 42,4

Zamak Stainless look



01.ZN.042.01 4 Ø 42,4

Glass clip model 01 - Flat

S



Zamak Brute



01.ZN.000.00 4

Glass clip model 01 - Tube

S



Zamak Brute



01.ZN.042.00 4 Ø 42,4

Rubbers model 01

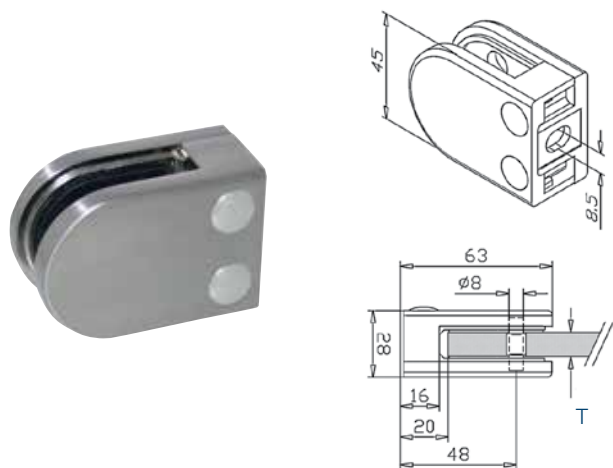


Rubbers Model 01

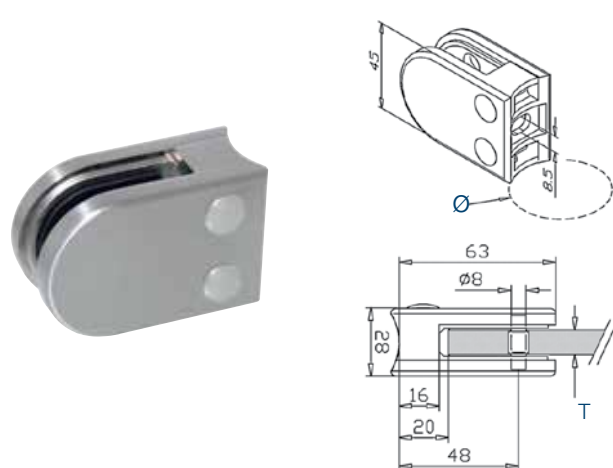


Rubbers Model 01	Quantity	Glass
6760.01.0600	8	6 mm
6760.01.0676	8	6,76 mm (3-0,76-3)
6760.01.0800	8	8 mm
6760.01.0876	8	8,76 mm (4-0,76-4)
6760.01.0952	8	9,52 mm (4-1,52-4)
6760.01.1000	8	10 mm

Glass clip model 02 - Flat



Glass clip model 02 - Tube



304 Indoor
satin



02.A2.000.01 4

316 Outdoor
satin



02.A4.000.01 4

Zamak
Stainless look



02.ZN.000.01 4

316 Outdoor
satin black



02.A4.000.05 4

304 Indoor
satin



02.A2.042.01 4 42,4

02.A2.048.01 4 48,3

316 Outdoor
satin



02.A4.042.01 4 42,4

02.A4.048.01 4 48,3

316 Outdoor
Mirror



02.A4.042.01# 4 42,4

02.A4.048.01# 4 48,3

Zamak
Stainless look



02.ZN.042.01 4 42,4

02.ZN.048.01 4 48,3

316 Outdoor
satin black



02.A4.042.05 4 42,4

Glass clip model 02 - Flat



Zamak
Brute



02.ZN.000.00 4

Glass clip model 02 - Tube



Zamak
Brute



02.ZN.042.00 4 42,4

02.ZN.048.00 4 48,3

Rubbers model 02



Rubbers
Model 02



6760.02.0600 8

6760.02.0676 8

6760.02.0800 8

6760.02.0876 8

6760.02.0952 8

6760.02.1000 8

Glass

6 mm

6,76 mm (3-0,76-3)

8 mm

8,76 mm (4-0,76-4)

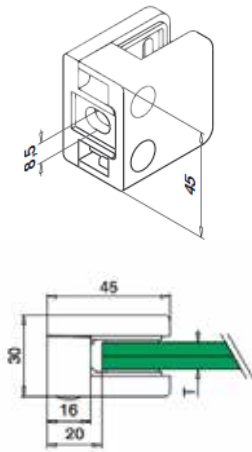
9,52 mm (4-1,52-4)

10 mm

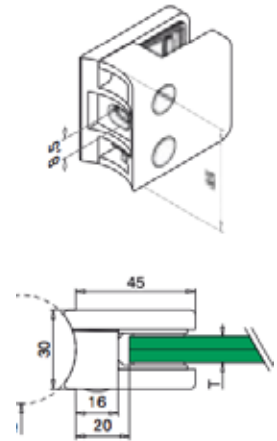
standard in packing
model 02



Glass clip model 03 - Flat



Glass clip model 03 - Tube



304 Indoor satin



03.A2.000.01 4

304 Indoor satin



03.A2.042.01 4 \emptyset 42,4

316 Outdoor satin



03.A4.000.01 4

316 Outdoor satin



03.A4.042.01 4 \emptyset 42,4

316 Outdoor satin black



03.A4.000.05 4

316 Outdoor satin black



03.A4.042.05 4 \emptyset 42,4

Standard in Packing Model 03



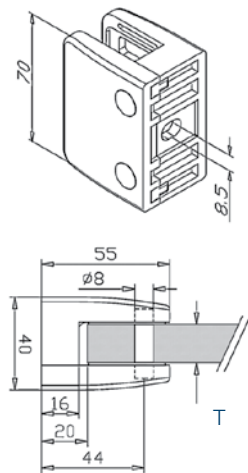
Rubbers Model 03



Rubbers Model 03		Glass
6760.03.0600	8	6 mm
6760.03.0676	8	6,76 mm (3-0,76-3)
6760.03.0800	8	8 mm
6760.03.0876	8	8,76 mm (4-0,76-4)
6760.03.0952	8	9,52 mm (4-1,52-4)
6760.03.1000	8	10 mm

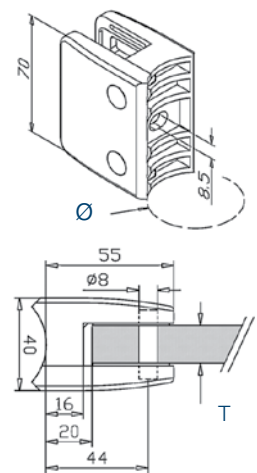
Glass clip model 04 - Flat

S



Glass clip model 04 - Tube

S



304 Indoor satin



04.A2.000.01 4

304 Indoor satin



04.A2.048.01 4 48,3

316 Outdoor satin



04.A4.000.01 4

316 Outdoor satin



04.A4.048.01 4 48,3

Zamak Stainless look



04.ZN.000.01 4

Zamak Stainless look



04.ZN.048.01 4 48,3

Glass clip model 04 - Flat

S



Zamak Brute



04.ZN.000.00 4

Glass clip model 04 - Tube

S



Zamak Brute



04.ZN.048.00 4 48,3

Rubbers model 04

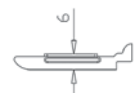


Rubbers Model 04



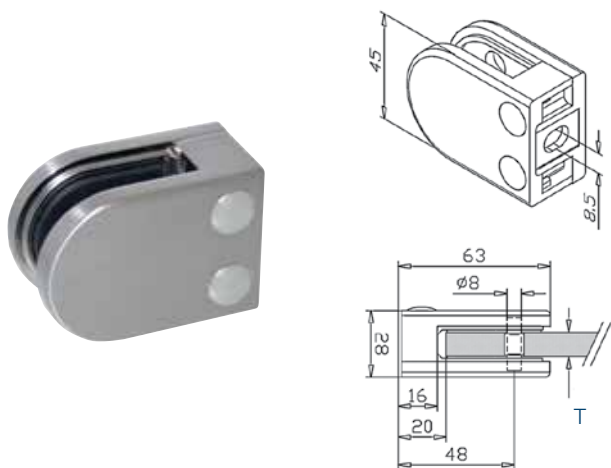
Rubbers Model 04		Glass
6760.04.0952	8	9,52 mm (4-1,52-4)
6760.04.1000	8	10 mm
6760.04.1152	8	11,52 mm (5-1,52-5)
6760.04.1200	8	12 mm
6760.04.1276	8	12,76 mm (6-0,76-6)
6760.04.1352	8	13,52 mm (6-1,52-6)
6760.04.1500	8	15 mm
6760.04.1676	8	16,76 mm (8-0,76-8)
6760.04.1752	8	17,52 mm (8-1,52-8)

standard in packing model 04



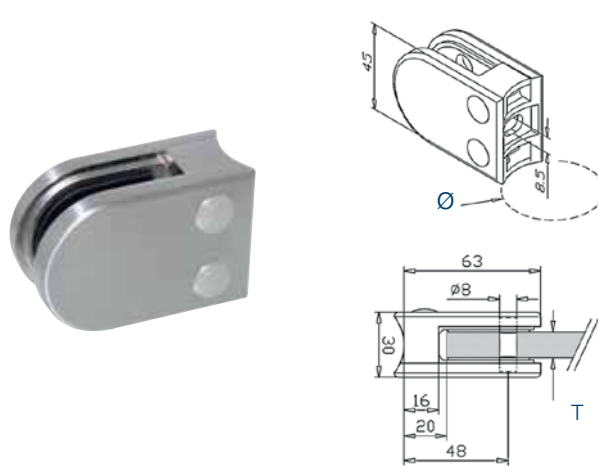
Glass clip model 05 - Flat

S



Glass clip model 05 - Tube

S



304 Indoor
satin



05.A2.000.01 4

316 Outdoor
satin



05.A4.000.01 4

Zamak
Stainless look



05.ZN.000.01 4

304 Indoor
satin



05.A2.042.01 4 42,4

05.A2.048.01 4 48,3

316 Outdoor
satin



05.A4.042.01 4 42,4

05.A4.048.01 4 48,3

Zamak
Stainless look



05.ZN.042.01 4 42,4

05.ZN.048.01 4 48,3

Glass clip model 05 - Flat

S



Zamak
Brute



05.ZN.000.00 4

Glass clip model 05 - Tube

S



Zamak
Brute



05.ZN.042.00 4 42,4

05.ZN.048.00 4 48,3

Rubbers model 05



Rubbers
Model 05



6760.05.1076 8

6760.05.1152 8

6760.05.1200 8

6760.05.1276 8

Glass

5-0,76-5 mm

5-1,52-5 mm

12 mm

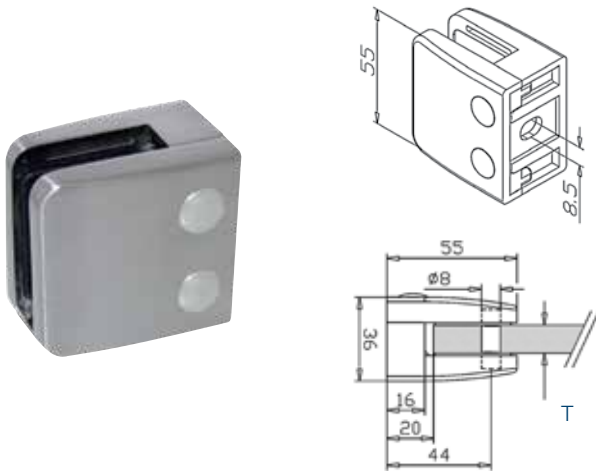
6-0,76-6 mm

standard in packing
model 05



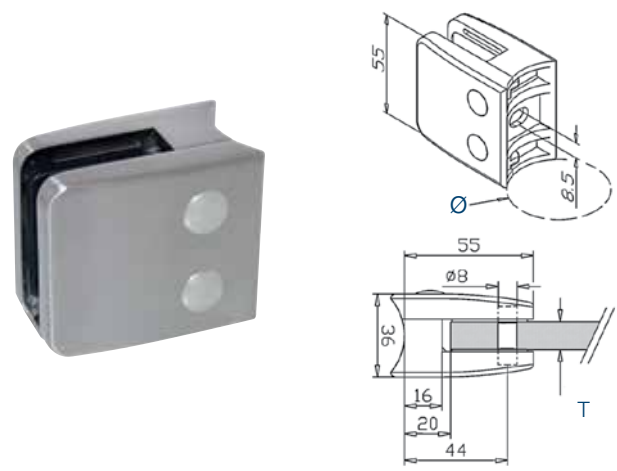
Glass clip model 06 - Flat

S



Glass clip model 06 - Tube

S



304 Indoor satin



06.A2.000.01 4

316 Outdoor satin



06.A4.000.01 4

Zamak Stainless look



06.ZN.000.01 4

316 Outdoor satin black



06.A4.000.05 4

304 Indoor satin



06.A2.042.01 4 42,4

06.A2.048.01 4 48,3

316 Outdoor satin



06.A4.042.01 4 42,4

06.A4.048.01 4 48,3

316 Outdoor Mirror



06.A4.042.01# 4 42,4

06.A4.048.01# 4 48,3

Zamak Stainless look



06.ZN.042.01 4 42,4

06.ZN.048.01 4 48,3

316 Outdoor satin black



06.A4.042.05 4 42,4

Glass clip model 06 - Flat

S



Zamak Brute



06.ZN.000.00 4

Glass clip model 06 - Tube

S



Zamak Brute



06.ZN.042.00 4 42,4

06.ZN.048.00 4 48,3

standard in packing model 06



Rubbers model 06



Rubbers Model 06



Glass

6760.06.0800	8	8 mm
6760.06.0876	8	8,76 mm (4,0,76-4)
6760.06.0952	8	9,52 mm (4-1,52-4)
6760.06.1000	8	10 mm

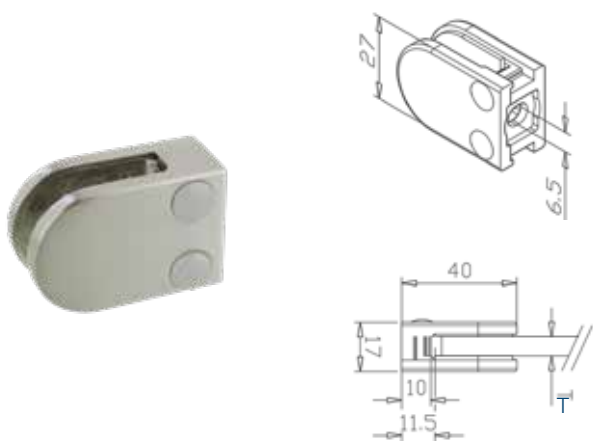
Rubbers Model 06



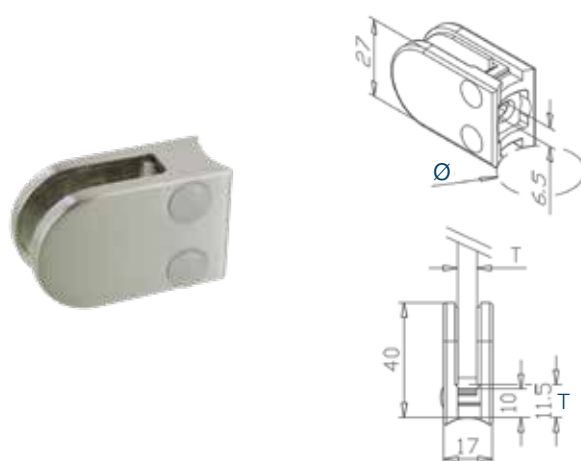
Glass




6760.06.1076	8	10,76 mm (5-0,76-5)
6760.06.1152	8	11,52 mm (5-1,52-5)
6760.06.1200	8	12 mm
6760.06.1276	8	12,76 mm (6-0,76-6)




Glass clip model 07 - Flat **S**



Glass clip model 07 - Tube **S**



304 Indoor satin		
07.A2.000.01	4	
316 Outdoor satin		
07.A4.000.01	4	
Zamak Stainless look		
07.ZN.000.01	4	

304 Indoor satin			Ø
07.A2.254.01	4		25,4
07.A2.337.01	4		33,7
316 Outdoor satin			Ø
07.A4.254.01	4		25,4
07.A4.337.01	4		33,7
Zamak Stainless look			Ø
07.ZN.254.01	4		25,4
07.ZN.337.01	4		33,7

Glass clip model 07 - Flat **S**



Glass clip model 07 - Tube **S**




Zamak Brute		
07.ZN.000.00	4	

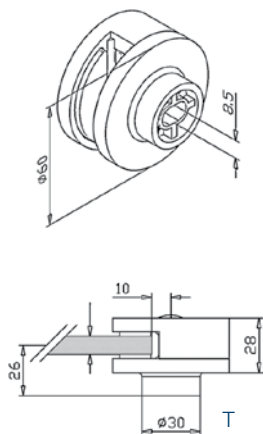
Zamak Brute			Ø
07.ZN.254.00	4		25,4
07.ZN.337.00	4		33,7

Rubbers model 07



Rubbers Model 07			Glass
6760.07.0600	8		6 mm
6760.07.0676	8		6,76 mm (3-0,76-3)
6760.07.0800	8		8 mm
6760.07.0876	8		8,76 mm (4-0,76-4)

Glass clip model 08 - Flat

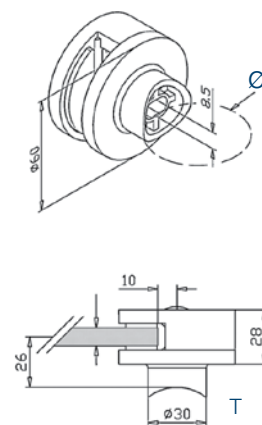


316 Outdoor satin



08.A4.000.01 4

Glass clip model 08 - Tube



316 Outdoor satin

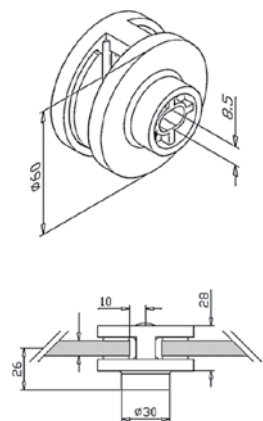


08.A4.042.01 4
08.A4.048.01 4

Ø

42,4
48,3

Glass clip model 09 - Flat

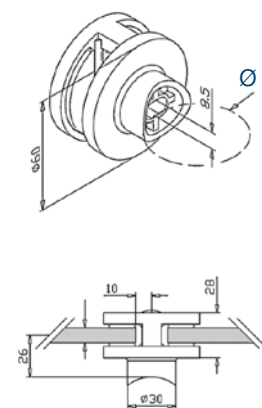


316 Outdoor satin



09.A4.000.01 4

Glass clip model 09 - Tube



316 Outdoor satin



09.A4.042.01 4
09.A4.048.01 4

Ø

42,4
48,3

Rubbers model 08/09



Rubbers Model 08/09



Rubbers Model 08/09		Glass
6760.09.0800	8	8 mm
6760.09.0876	8	8,76 mm (4-0,76-4)
6760.09.0952	8	9,52 mm (4-1,52-4)
6760.09.1000	8	10 mm
6760.09.1076	8	10,76 mm (5-0,76-5)
6760.09.1152	8	11,52 mm (5-1,52-5)
6760.09.1200	8	12 mm
6760.09.1276	8	12,76 mm (6-0,76-6)

Glass clip model 10 - 090

S



304 Indoor
satin



10.A2.090.01 2

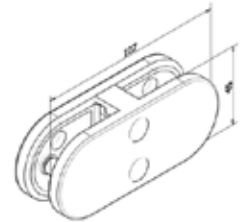
316 Outdoor
satin



10.A4.090.01 2

Glass clip model 10 - 180

S



304 Indoor
satin



10.A2.180.01 2

316 Outdoor
satin



10.A4.180.01 2

Rubbers model 10



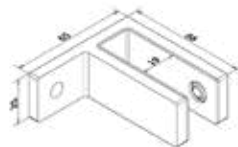
Rubbers
Model 10



Rubbers Model 10		Glass
6760.10.0600	8	6 mm
6760.10.0800	8	8 mm
6760.10.0876	8	8,76 mm (4-0,76-4)
6760.10.0952	8	9,52 mm (4-1,52-4)
6760.10.1000	8	10 mm

Glass clip model 11 - Flat

S



316 Outdoor
satin

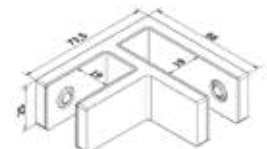


11.A4.000.01 1

Glass

16,76-19mm

Glass clip model 11 - 090



316 Outdoor
satin

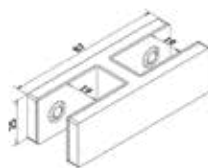


11.A4.090.01 1

Glass

16,76-19mm

Glass clip model 11 - 180



316 Outdoor
satin

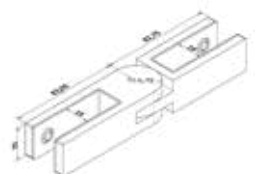


11.A4.180.01 1

Glass

16,76-19mm

Glass clip model 11 - 270



316 Outdoor
satin



11.A4.270.01 1

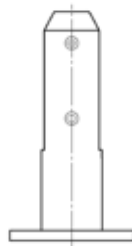
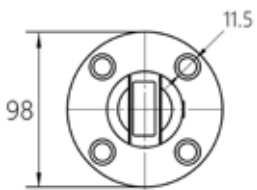
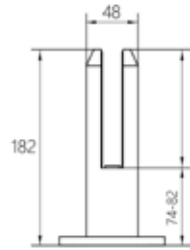
Glass

16,76-19mm

SPIGOT

Round Spigot

S



Duplex 2205
satin



Glass

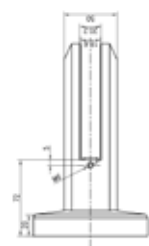
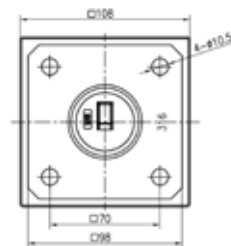
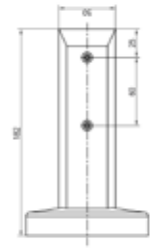
0397.000.225

1

13,52 -17,52mm

Square Spigot

S



Duplex 2205
satin



Glass

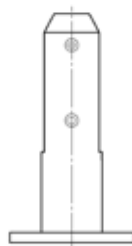
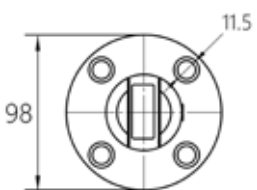
0398.000.225

1

13,52 -17,52mm

Round Spigot black

S



Duplex 2205
satin black



Glass

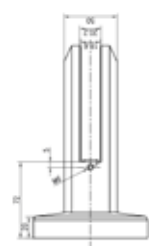
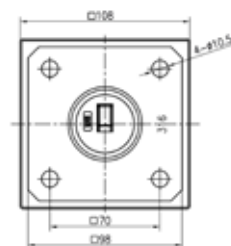
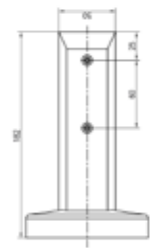
0397.000.225@

1

13,52 -17,52mm

Square Spigot black

S



Duplex 2205
satin black



Glass

0398.000.225@

1

13,52 -17,52mm



IMS NEDERLAND B.V.
GILDENWEG 21
NL-3334 KC ZWIJNDRECHT
T +31 78 6230600
INFO@UNIQ-BALUSTRADES.COM
WWW.UNIQ-BALUSTRADES.COM